

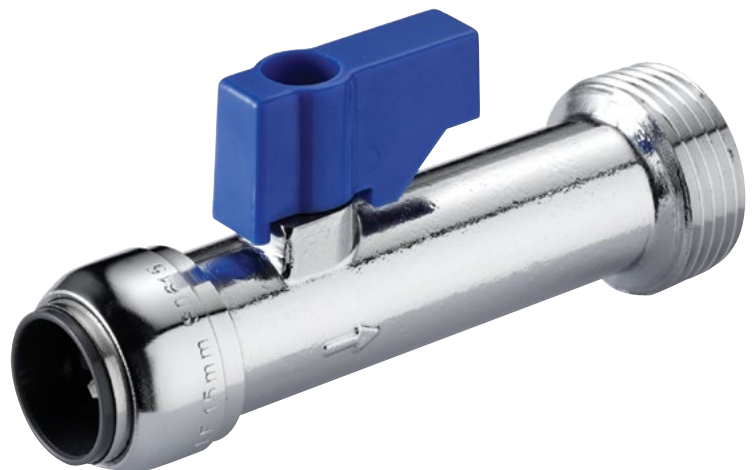


SHARKBITE® WASHING MACHINE VALVE

SB241520 Washing machine valve, 15mm x 3/4" MBSP, pack quantity: 1

OVERVIEW

Isolator and double check valve for control of water supply to washing machines. Supplied with red and blue handles, for use on either hot or cold supply pipe. SharkBite pushfit connection at inlet for fast, secure and heat-free connection compatible with all types of commonly used metal and plastic pipe: copper, chromed copper, PEX, carbon steel and polybutylene. The valve can be easily disconnected and is immediately re-usable.



WATER CONTROLS FOR A MODERN WORLD

RELIANCE

TEMPERATURE
CONTROL

FLOW
CONTROL

HEATING SYSTEM
COMPONENTS

WASHROOM
SYSTEMS

HEATING & COOLING
DISTRIBUTION SYSTEMS

PLUMBING
SYSTEMS

SHARKBITE® WASHING MACHINE VALVE

FEATURES AND BENEFITS

- Compact, high quality valve gives durability and secure isolation when activated
- Nickel plated for even longer life
- Chrome plated brass ball, encapsulated between two seals, gives smooth operation and 100% reliability
- Supplied with red and blue handles

SPECIFICATIONS

Maximum pressure: 10.0 bar at 90°C

MATERIALS

Body:	DZR Brass
Seals:	Ethylene polypropylene diene monomer (EPDM)
Check Cartridges:	Acetyl copolymer
Ball:	Brass
Spindle:	Brass
O ring:	EPDM
15mm Cartridge:	304 Stainless steel
Grab ring:	316 Stainless steel
Disconnecting ring:	Acetal copolymer
Alignment ring:	Nylon 6

ACCESSORIES

SB2915:	15mm Depth marker/Disconnecting clip
SB2910-28:	10mm-28mm Depth marker/Disconnecting clip set
SB3015:	15mm Disconnecting tongs

PIPE COMPATABILITY

COPPER: Copper pipe manufactured in accordance with BS EN 1057 in sizes 10mm to 54mm. If 10mm annealed copper pipe is being used, it must be re-calibrated in accordance with Table 4 R250 tolerances in the above standard and a copper liner installed into the pipe prior to assembly.

PEX: SharkBite cross linked polyethylene (PEX) manufactured to BS 7291: Part 3 in sizes 10mm to 54mm utilising the specific manufacturer's pipe liner.

POLYBUTYLENE: Polybutylene (PB) manufactured to BS 7291: Part 2 when utilising the specific manufacturer's liner.

CARBON PIPE: Carbon steel pipe manufactured to EN10305-2.

ELECTRICAL CONTINUITY: SharkBite fittings are TRaC certified to provide electrical continuity when used with copper or carbon steel pipe with the exception of 10mm fittings.

GUARANTEE

As a result of the rigorous manufacturing and quality controls and also internal long term test results, all SharkBite fittings are guaranteed against defects in materials or manufacturing for a period of 25 years from the date of purchase.

DIMENSIONS

All measurements in mm unless otherwise stated

