



## SHARKBITE® STOP COCK

SB1715 Stop cock, 15mm, pack quantity: 1

SB1722 Stop cock, 22mm, pack quantity: 1

### OVERVIEW

Stop cock to control water flow, built with SharkBite pushfit connections for fast, secure and heat-free connection compatible with all types of commonly used metal and plastic pipe: copper, chromed copper, PEX, carbon steel and polybutylene. The stop cock can be easily disconnected and is immediately re-usable.



WATER CONTROLS FOR A MODERN WORLD

RELIANCE

TEMPERATURE  
CONTROL

FLOW  
CONTROL

HEATING SYSTEM  
COMPONENTS

WASHROOM  
SYSTEMS

HEATING & COOLING  
DISTRIBUTION SYSTEMS

PLUMBING  
SYSTEMS

# SHARKBITE® STOP COCK

## FEATURES AND BENEFITS

- Rotatable handle: water supply can be closed or opened easily at the turn of the tap head
- Ultra low lead DZR brass body
- Pushfit connections for easy installation or disconnection

## SPECIFICATIONS

Maximum pressure: 10.0 bar  
 Maximum temperature: 85°C

## MATERIALS

Body: CW511L Brass  
 Handle: Brass  
 Seal: EPDM  
 Spindle: CW511L Brass  
 Spindle Riser: CW511L Brass  
 Bonnet: CW511L Brass  
 Bonnet Seal: PTFE  
 Nut: Brass  
 Screw: Brass  
 O ring: Ethylene polypropylene diene monomer (EPDM)  
 15mm cartridge: 304 Stainless steel  
 Grab ring: 316 Stainless steel  
 Disconnecting ring: Acetal copolymer  
 Alignment ring: Nylon 6

## STANDARDS AND APPROVALS

- WRAS Approved

## ACCESSORIES

SB2915: 15mm Depth marker/Disconnecting clip  
 SB2922: 22mm Depth marker/Disconnecting clip  
 SB2910-28: 10mm-28mm Depth marker/Disconnecting clip set  
 SB3015: 15mm Disconnecting tongs  
 SB3022: 22mm Disconnecting tongs

## PIPE COMPATABILITY

**COPPER:** Copper pipe manufactured in accordance with BS EN 1057 in sizes 10mm to 54mm. If 10mm annealed copper pipe is being used, it must be re-calibrated in accordance with Table 4 R250 tolerances in the above standard and a copper liner installed into the pipe prior to assembly.

**PEX:** SharkBite cross linked polyethylene (PEX) manufactured to BS 7291: Part 3 in sizes 10mm to 54mm utilising the specific manufacturer's pipe liner.

**POLYBUTYLENE:** Polybutylene (PB) manufactured to BS 7291: Part 2 when utilising the specific manufacturer's liner.

**CARBON PIPE:** Carbon steel pipe manufactured to EN10305-2.

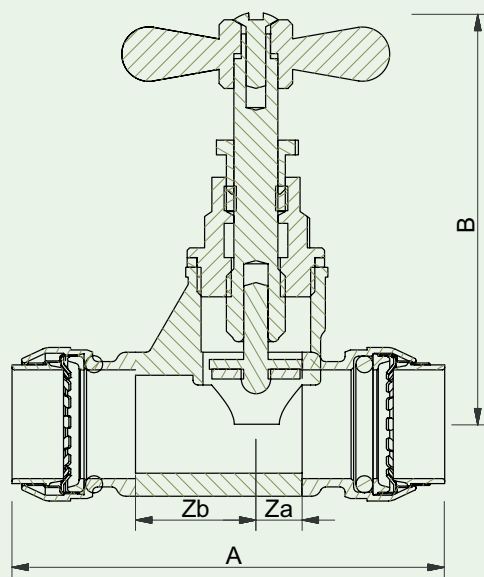
**ELECTRICAL CONTINUITY:** SharkBite fittings are TRaC certified to provide electrical continuity when used with copper or carbon steel pipe with the exception of 10mm fittings.

## GUARANTEE

As a result of the rigorous manufacturing and quality controls and also internal long term test results, all SharkBite fittings are guaranteed against defects in materials or manufacturing for a period of 25 years from the date of purchase.

## DIMENSIONS

All measurements in mm unless otherwise stated



Size	Code	A	Za	B	Zb
15mm	SB1715	85mm	13mm	88mm	26mm
22mm	SB1722	106mm	20mm	94mm	28mm