



SHARKBITE® SERVICE VALVE

SB1915 Service valve, 15mm, pack quantity: 5

SB1922 Service valve, 22mm, pack quantity: 5

OVERVIEW

A chrome plated, brass bodied valve with slotted isolation screw. The valve's SharkBite pushfit ends allow fast, secure and heat-free pipework connection. It can be easily disconnected and is immediately re-usable.



WATER CONTROLS FOR A MODERN WORLD

RELIANCE

TEMPERATURE
CONTROL

FLOW
CONTROL

HEATING SYSTEM
COMPONENTS

WASHROOM
SYSTEMS

HEATING & COOLING
DISTRIBUTION SYSTEMS

PLUMBING
SYSTEMS

SHARKBITE® SERVICE VALVE

FEATURES AND BENEFITS

- Compact, high quality valve gives durability and secure isolation when activated
- Chrome plated brass ball, encapsulated between two high grade NBR seals, gives smooth operation and 100% reliability

SPECIFICATIONS

Maximum pressure: 10.0 bar at 90°C

MATERIALS

Body:	CW511L Brass
Ball:	Brass
Spindle:	Brass
O ring:	Ethylene polypropylene diene monomer (EPDM)
15 & 22mm Cartridge:	304 Stainless steel
Grab ring:	316 Stainless steel
Disconnecting ring:	Acetal copolymer
Alignment ring:	Nylon 6

STANDARDS AND APPROVALS

- WRAS Approved

ACCESSORIES

SB2915:	15mm Depth marker/Disconnecting clip
SB2922:	22mm Depth marker/Disconnecting clip
SB2910-28:	10mm–28mm Depth marker/Disconnecting clip set 10mm-28mm
SB3015:	15mm Disconnecting tongs
SB3022:	22mm Disconnecting tongs

PIPE COMPATABILITY

COPPER: Copper pipe manufactured in accordance with BS EN 1057 in sizes 10mm to 54mm. If 10mm annealed copper pipe is being used, it must be re-calibrated in accordance with Table 4 R250 tolerances in the above standard and a copper liner installed into the pipe prior to assembly.

PEX: SharkBite cross linked polyethylene (PEX) manufactured to BS 7291: Part 3 in sizes 10mm to 54mm utilising the specific manufacturer’s pipe liner.

POLYBUTYLENE: Polybutylene (PB) manufactured to BS 7291: Part 2 when utilising the specific manufacturer’s liner.

CARBON PIPE: Carbon steel pipe manufactured to EN10305–2.

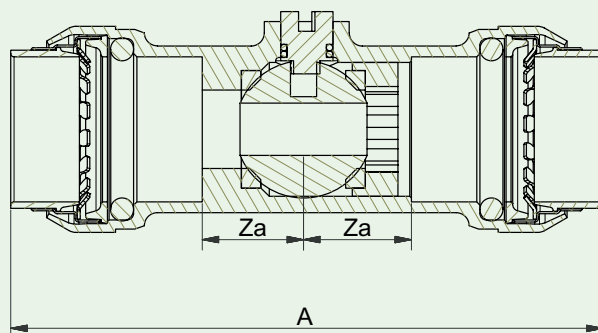
ELECTRICAL CONTINUITY: SharkBite fittings are TRaC certified to provide electrical continuity when used with copper or carbon steel pipe with the exception of 10mm fittings.

GUARANTEE

As a result of the rigorous manufacturing and quality controls and also internal long term test results, all SharkBite fittings are guaranteed against defects in materials or manufacturing for a period of 25 years from the date of purchase.

DIMENSIONS

All measurements in mm unless otherwise stated



Size	Code	A	Za
15mm	SB1915	67mm	10mm
22mm	SB1922	82mm	13mm