



SHARKBITE® NICKEL PLATED QUARTER TURN BALL VALVE

- SB3515B Nickel plated quarter turn ball valve with blue handle, 15mm, pack quantity: 5
- SB3515R Nickel plated quarter turn ball valve with red handle, 15mm, pack quantity: 5
- SB3522B Nickel plated quarter turn ball valve with blue handle, 22mm, pack quantity: 5
- SB3522R Nickel plated quarter turn ball valve with red handle, 22mm, pack quantity: 5

OVERVIEW

A brass bodied, nickel plated full flow isolation valve activated by the lever handle. Available with red or blue handle to help identify hot or cold water. The valve's SharkBite pushfit ends allow fast, secure and heat-free pipework connection. It can be easily disconnected and is immediately re-usable.



WATER CONTROLS FOR A MODERN WORLD

RELIANCE

TEMPERATURE CONTROL

FLOW CONTROL

HEATING SYSTEM COMPONENTS

WASHROOM SYSTEMS

HEATING & COOLING DISTRIBUTION SYSTEMS

PLUMBING SYSTEMS

SHARKBITE® NICKEL PLATED QUARTER TURN BALL VALVE

FEATURES AND BENEFITS

- Full bore ¼ turn ball valves
- Nickel plated body
- Easy to use lever handle

SPECIFICATIONS

Maximum temperature: 85°C
 Maximum pressure: 10.0 bar at 85°C

MATERIALS

Body: Brass
 Ball: Brass
 Stem: Brass
 Lever: PVC coated steel
 O ring: Ethylene polypropylene diene monomer (EPDM)
 15, 22 & 28mm Cartridge: 304 Stainless steel
 35, 42 & 54mm Cartridge: Polyphenylsulfone (PPSU)
 Grab ring: 316 Stainless steel
 Disconnecting ring: Acetal copolymer
 Alignment ring: Nylon 6

STANDARDS AND APPROVALS

- WRAS Approved

ACCESSORIES

SB2915: 15mm Depth marker/Disconnecting clip
 SB2922: 22mm Depth marker/Disconnecting clip
 SB2910-28: 10mm–28mm Depth marker/Disconnecting clip set 10mm-28mm
 SB3015: 15mm Disconnecting tongs
 SB3022: 22mm Disconnecting tongs

PIPE COMPATABILITY

COPPER: Copper pipe manufactured in accordance with BS EN 1057 in sizes 10mm to 54mm. If 10mm annealed copper pipe is being used, it must be re-calibrated in accordance with Table 4 R250 tolerances in the above standard and a copper liner installed into the pipe prior to assembly.

PEX: SharkBite cross linked polyethylene (PEX) manufactured to BS 7291: Part 3 in sizes 10mm to 54mm utilising the specific manufacturer's pipe liner.

POLYBUTYLENE: Polybutylene (PB) manufactured to BS 7291: Part 2 when utilising the specific manufacturer's liner.

CARBON PIPE: Carbon steel pipe manufactured to EN10305–2.

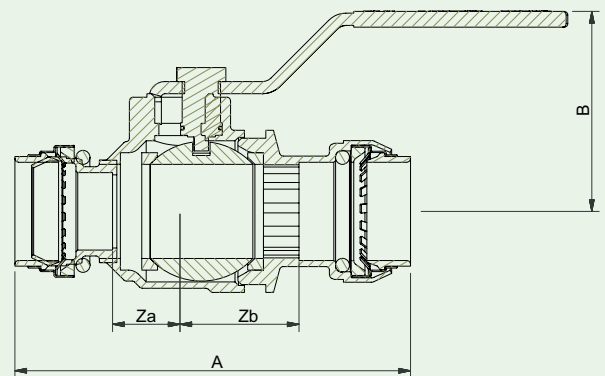
ELECTRICAL CONTINUITY: SharkBite fittings are TRaC certified to provide electrical continuity when used with copper or carbon steel pipe with the exception of 10mm fittings.

GUARANTEE

As a result of the rigorous manufacturing and quality controls and also internal long term test results, all SharkBite fittings are guaranteed against defects in materials or manufacturing for a period of 25 years from the date of purchase.

DIMENSIONS

All measurements in mm unless otherwise stated



Size	Code	A	Za	B	Zb
15mm Blue handle	SB3515B	76mm	13mm	43mm	13mm
15mm Red handle	SB3515R	76mm	13mm	43mm	13mm
22mm Blue handle	SB3522B	92mm	17mm	48mm	17mm
22mm Red handle	SB3522R	92mm	17mm	48mm	17mm