



## SHARKBITE® 90° MALE ELBOW

SB121515M 90° Male Elbow, 15mm x 1/2" BSP, Pack Quantity: 5

SB122220M 90° Male Elbow, 22mm x 3/4" BSP, Pack Quantity: 5

### OVERVIEW

The SharkBite range of slimline metal push-fit plumbing fittings provide a fast, secure and heat-free pipework connection which is suitable for all domestic and commercial applications. The fittings are compatible with all types of commonly used metal and plastic pipe: copper, PEX, carbon steel and polybutylene. They can be easily disconnected and are immediately re-usable. This selection of elbows connects pipe at a 90 degree angle, with a SharkBite pushfit connection at one end and a male thread at the other.



WATER CONTROLS FOR A MODERN WORLD

# RELIANCE

TEMPERATURE  
CONTROL

FLOW  
CONTROL

HEATING SYSTEM  
COMPONENTS

WASHROOM  
SYSTEMS

HEATING & COOLING  
DISTRIBUTION SYSTEMS

PLUMBING  
SYSTEMS

# SHARKBITE® 90° MALE ELBOW

## WORKING PRESSURES AND TEMPERATURES

Size	Pipe	Pressure/Temperature			
		12 Bar / -20°C	12 Bar / 20°C	6 Bar / 65°C	6 Bar / 95°C
15mm	PEX or PB	12 Bar / -20°C	12 Bar / 20°C	6 Bar / 65°C	6 Bar / 95°C
	Copper/Carbon Steel	20 Bar / -24°C	20 Bar / 30°C	16 Bar / 65°C	10 Bar / 120°C
22mm	PEX or PB	12 Bar / -20°C	12 Bar / 20°C	6 Bar / 65°C	6 Bar / 95°C
	Copper/Carbon Steel	20 Bar / -24°C	20 Bar / 30°C	16 Bar / 65°C	10 Bar / 120°C

## FEATURES AND BENEFITS

- Quick and easy to install in both wet or dry conditions
- Heat/flux free installation, ideal for use where flame jointing is not permitted
- No expensive tools required
- Quick and easy to demount
- Instantly reusable
- Versatile: same fitting can connect all types of commonly used metal and plastic pipe, in any combination
- Slim, compact design and fully rotatable: ideal for use in confined spaces or on exposed pipework
- Electrically continuous (when used with copper or carbon steel pipe)

## STANDARDS AND APPROVALS

- WRAS Approved

## PIPE COMPATABILITY

**COPPER:** Copper pipe manufactured in accordance with BS EN 1057 in sizes 10mm to 54mm. If 10mm annealed Copper pipe is being used, it must be re-calibrated in accordance with Table 4 R250 tolerances in the above standard and a Copper liner installed into the pipe prior to assembly.

**PEX:** SharkBite cross linked Polyethylene (PEX) manufactured to BS 7291: Part 3 in sizes 10mm to 54mm utilising the specific manufacturer's pipe liner.

**POLYBUTYLENE:** Polybutylene (PB) manufactured to BS 7291: Part 2 when utilising the specific manufacturer's liner.

**CARBON PIPE:** Carbon Steel pipe manufactured to EN 10305-2

**ELECTRICAL CONTINUITY:** SharkBite fittings are TRaC certified to provide electrical continuity when used with Copper or Carbon Steel pipe with the exception of 10mm fittings.

## MATERIALS

- Body: DZR Brass
- O Ring: Ethylene Polypropylene Diene Monomer (EPDM)
- 15 & 22 Cartridge: 304 Stainless Steel
- Grab Ring: 316 Stainless Steel
- Disconnecting Ring: Acetal Copolymer
- Alignment Ring: Nylon 6

## GUARANTEE

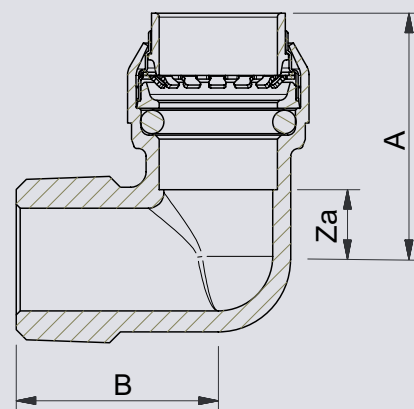
As a result of the rigorous manufacturing and quality controls and also internal long term test results, all SharkBite fittings are guaranteed against defects in materials or manufacturing for a period of 25 years from the date of purchase.

## ACCESSORIES

- SB2915: 15mm Depth Marker/Disconnecting Clip
- SB2922: 22mm Depth Marker/Disconnecting Clip
- SB2910-28: 10mm–28mm Depth Marker/ Disconnecting Clip Set
- SB3015: 15mm Disconnecting Tongs
- SB3022: 22mm Disconnecting Tongs

## DIMENSIONS

All dimensions in mm unless otherwise stated.



Size	Code	A	Za	B
15mm x 1/2" BSP	SB121515M	33mm	9mm	26mm
22mm x 3/4" BSP	SB122220M	30mm	11mm	32mm