



## SEALED HEATING SYSTEM PRESSURE RELIEF VALVE WITH GAUGE

**PREL103003** 1/2"FBSP x 1/2"FBSP Sealed heating system pressure relief valve with gauge, 3.0 bar

### OVERVIEW

A pressure relief valve to protect sealed heating systems from overpressure. Made from hot pressed brass, the Pressure relief valve is predominantly used to protect closed-circuit water heating systems from overpressure. It has a separate seal seating from the diaphragm and a high grade glass fibre reinforced plastic twist cap. Supplied with 1/2" female connections and integral pressure gauge for system monitoring, it is set at 3.0 bar opening pressure which is indicated on the twist cap cover.



WATER CONTROLS FOR A MODERN WORLD

**RELIANCE**

TEMPERATURE  
CONTROL

FLOW  
CONTROL

HEATING SYSTEM  
COMPONENTS

WASHROOM  
SYSTEMS

HEATING & COOLING  
DISTRIBUTION SYSTEMS

PLUMBING  
SYSTEMS

# SEALED HEATING SYSTEM PRESSURE RELIEF VALVE WITH GAUGE

## FEATURES AND BENEFITS

- Diaphragm design gives improved resistance to scaling and extends the valve's lifespan
- Straightforward removal of single piece cartridge allows access to seat for cleaning or cartridge replacement
- Set relief pressure range from 2.0 bar - 3.0 bar gives flexibility of system design
- Available with FSBP/FSBP or MBSP/FBSP connections, for complete installation flexibility

## SPECIFICATIONS

Set pressure:	3.0 bar
Operating temperature:	140°C max
Test pressure of body:	25.0 bar
Gauge:	0-4.0 bar

## MATERIALS

Body:	Hot pressed DZR brass
Diaphragm:	EPDM elastomer
Seal:	EPDM elastomer
Spring:	Spring steel wire - corrosion protected
Internals:	OT58 brass
Twist cap:	High grade glass fibre reinforced plastic

## DISCHARGE RATING

The table below shows the discharge rate in m<sup>3</sup>/h of the pressure relief valve at the specified pressure settings (in bar).

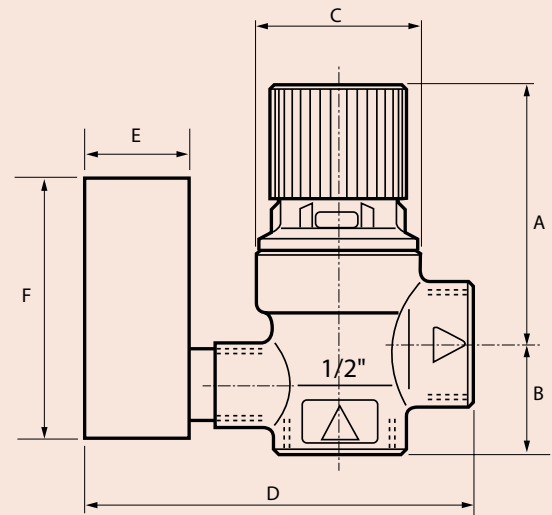
Pressure Setting-(bar)	1.5	2.0	2.5	3.0
Discharge Rating-(m <sup>3</sup> /h)	2.8	3.0	9.5	14.3

## HOW TO SPECIFY

Pressure relief valve at pre-determined set opening pressure which is supplied with 1/2" FBSP inlet and outlet and integral pressure gauge. (Include correct product range code).

## DIMENSIONS

All dimensions in mm unless otherwise stated.



A	B	C	D	E	F
48.5	20.5	31	82	26	50