

Multisafe™ Leak Detector Control Valve

A smart leak detection system offering a new level of protection from costly water damage.

Overview

Internet-enabled, the Leak Detector Control Valve provides ultimate leak detection and intelligent water management by constantly measuring water flow rate, pressure, temperature and hardness. When unusually high usage is detected or water is running for a long period of time, the isolating valve automatically shuts off the water supply and sends an instant alert by text or email. Even the smallest leak is detected thanks to microleak testing at regular intervals.

Features and benefits

- Constantly monitors water usage to safeguard plumbing and heating systems and identify potential system failures and leaks
- Automatically closes isolation valve and sends an alert when a leak is detected
- Regular microleakage monitoring function
- System profile built over seven days using the self-learning mode
- Settings can be adjusted to suit individual requirements, including holiday mode
- Includes temperature monitoring for frost protection and a water hardness monitor
- Monitor, control and change settings via a free user-friendly app



Product code	Description	Size
LEKP100001	Multisafe™ Leak Detector Control Valve	¾" MBSP
LEKP100002	Multisafe™ Leak Detector Control Valve	1" MBSP
LEKP100003	Multisafe™ Leak Detector Control Valve	1¼" MBSP



Multisafe™ Leak Detector Control Valve

Working parameters & specifications

Operating temperature	5 to 25°C
Ambient temperature	5 to 60°C
Maximum pressure	16 bar
Protection class	IPX3
Electrical connection	230v plug transformer 12v/50Hz
Batteries	1 x 9v
Minimum start up flow	5 LPH

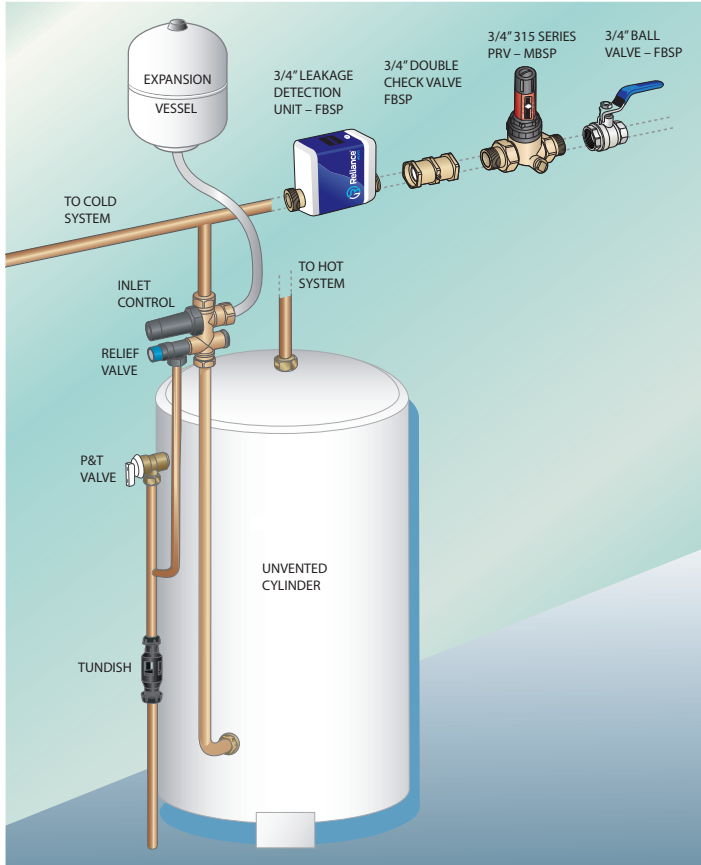
Application

Potable water	✓
---------------	---

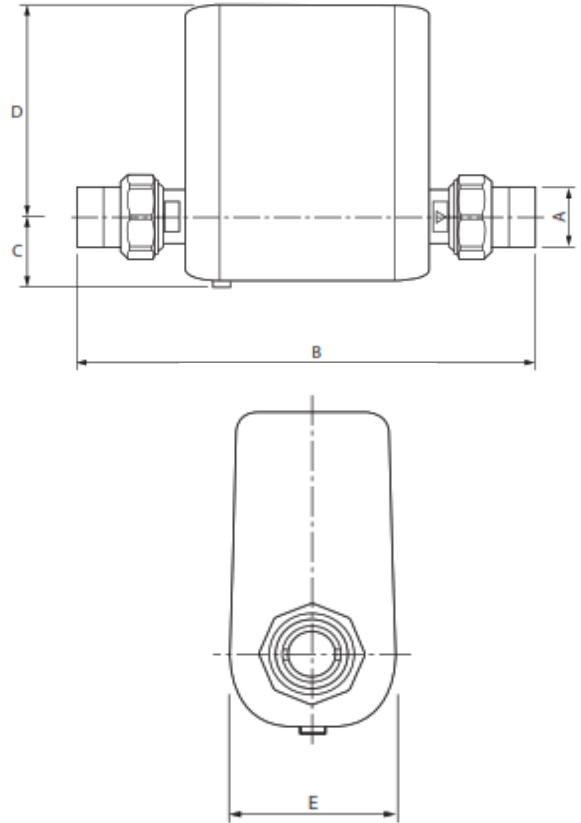
Materials

Body	DZR brass (low lead)
Seals	EPDM rubber
Metal parts in contact with water	Stainless steel

Typical installation



Dimensions – All measurements in mm unless otherwise stated



Product code	A (MBSP)	B	C	D	E
LEKP100001	¾"	260	39	120	80
LEKP100002	1"	265	39	120	80
LEKP100003	1 ¼"	285	39	120	80

Flow rates

