



## PREDATOR PRESSURE REDUCING VALVE

PRED800015      15mm compression  
PRED800020      22mm compression

### OVERVIEW

The Predator pressure reducing valve takes a high inlet pressure and reduces it to a lower outlet pressure, which can be set as desired.

The valve can be used in both hot and cold potable water services in domestic, commercial and industrial applications to supply water at the designated pressure.



WATER CONTROLS FOR A MODERN WORLD

# RELIANCE

TEMPERATURE  
CONTROL

FLOW  
CONTROL

HEATING SYSTEM  
COMPONENTS

WASHROOM  
SYSTEMS

HEATING & COOLING  
DISTRIBUTION SYSTEMS

PLUMBING  
SYSTEMS

# PREDATOR PRESSURE REDUCING VALVE

## FEATURES AND BENEFITS

- Drop tight valve: controls the pressure under both flow and no-flow conditions
- Fully serviceable integral strainer protects the seat of the valve
- Can be installed in any orientation, providing full installation flexibility
- Supplied complete with both pressure gauge and gauge port plug
- Suitable for hot and cold applications

## SPECIFICATIONS

|                                |             |
|--------------------------------|-------------|
| Maximum working pressure:      | 16.0 bar    |
| Adjustable set pressure:       | 1.0-6.0 bar |
| Maximum outlet pressure:       | 6.0 bar     |
| Minimum outlet pressure:       | 1.0 bar     |
| Factory preset:                | 3.0 bar     |
| Maximum operating temperature: | 80°C        |
| Pressure gauge connection:     | 1/4" BSP    |
| Pressure gauge dial:           | 0-6.0 bar   |

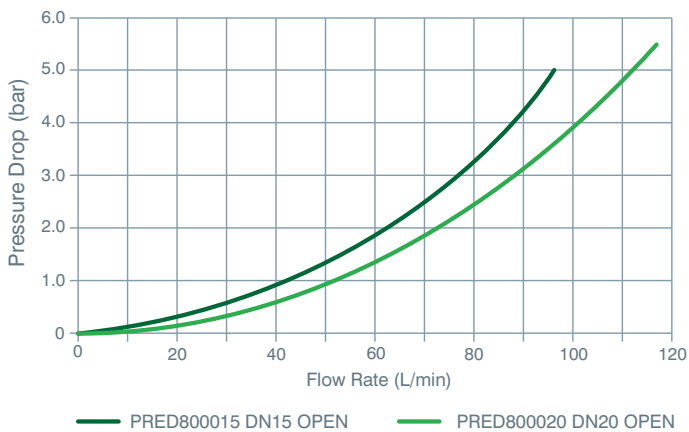
## MATERIALS

|            |                 |
|------------|-----------------|
| Body:      | DZR brass       |
| Spring:    | Stainless steel |
| Diaphragm: | EPDM            |

## STANDARDS AND APPROVALS

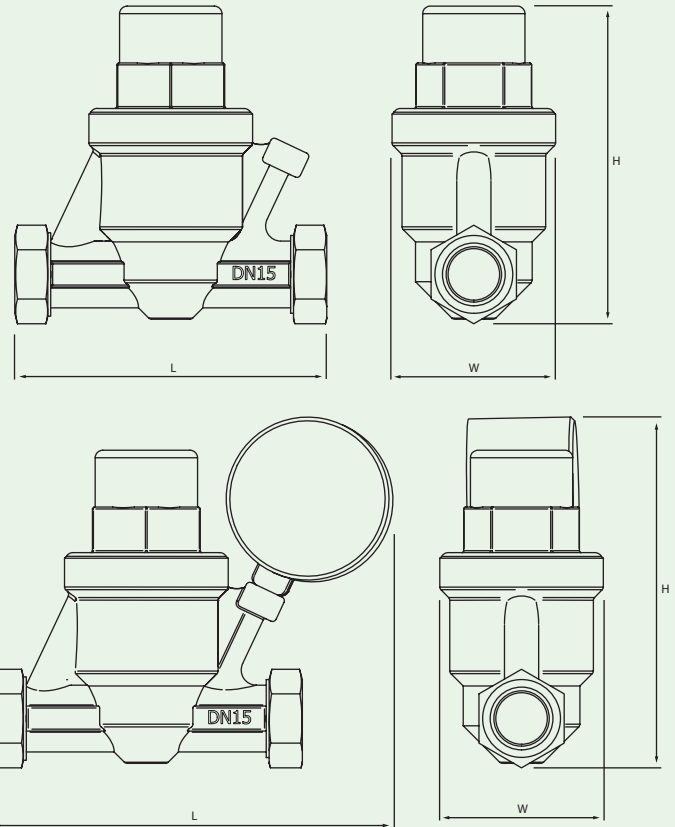
- WRAS Approved

## FLOW RATES



## DIMENSIONS

All dimensions in mm unless otherwise stated.



| Product Code          | L   | W  | H   |
|-----------------------|-----|----|-----|
| PRED800015            | 98  | 43 | 94  |
| PRED800015 with gauge | 125 | 43 | 107 |
| PRED800020            | 99  | 43 | 98  |
| PRED800020 with gauge | 126 | 43 | 111 |