

RELIANCE
WATER CONTROLS

MINI-CORE INLET CONTROL

- CORE115001** 15mm, 3 bar inlet core control
CORE115005 15mm, 6 bar inlet core control
CORE115010 15mm, 7 bar inlet core control



Overview

A multifunctional, compact inlet control group including a single check valve, a rotatable expansion relief valve in several different pressures, and two 1/2" tapping points for the connection of an expansion vessel (either directly to the unit or with a flexible hose). The Mini-Core is ideal for use with small water heaters between 15 and 50 litre capacity to provide the cold water inlet controls that are required by building regulation G3 in a compact and easy to fit single piece valve.

MINI-CORE INLET CONTROL

Features and Benefits

- Space-saving: the Mini-Core incorporates a single check valve, expansion relief valve and tee piece for connecting an expansion vessel in one compact valve
- Time-saving: fewer components to fit allows faster installation
- Fewer joints mean less chance of leaking, which also helps make installation quicker and simpler
- Flexible design, with a rotating relief valve and choice of two expansion vessel connection points, facilitates installation even in confined spaces

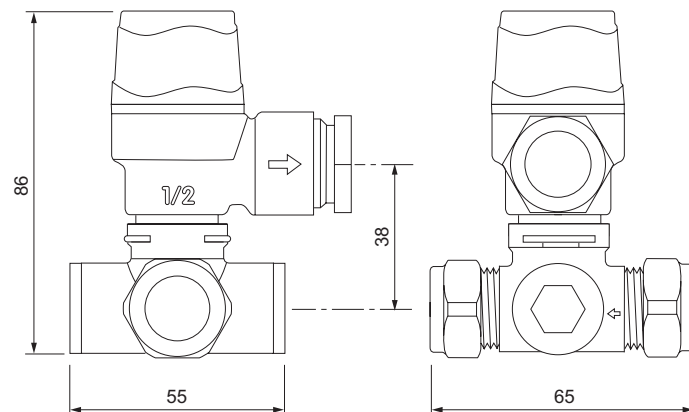
Specifications

Body test pressure	10 bar
Working pressure (dependent on relief valve setting)	3, 6, or 7 bar
Minimum temperature	1°C
Maximum temperature	85°C

Materials

Body	DZR brass
Diaphragm	EPDM
Circlip	Stainless steel

Dimensions



All dimensions shown in mm unless otherwise stated



Reliance Worldwide Corporation (UK) Ltd,
 Worcester Road, Evesham, Worcs. WR11 4RA, UK
 Tel: +44 (0)1386 712400 Fax: +44 (0)1386 712401 Web: www.rwc.co.uk