

Features and Benefits

- Prevents over pressurisation
- Includes backflow prevention device
- Dedicated connection for expansion vessel



Description

The core manifold is a unique valve which incorporates several different components to make one central safety device. It is designed especially for unvented systems to go on the incoming mains supply pipe to a hot water cylinder. The components which make up the core manifold are; a pressure relief valve cartridge (6bar) to prevent over pressurisation of the system, a single check valve which provides backflow prevention up to category 2, and a $\frac{3}{4}$ " dedicated connection for an expansion vessel.

CORE MANIFOLD Specification Sheet



The Safety Valve Specialist

Specifications

Maximum Temperature	25°C
Pressure Relief Cartridge	Pre-set and locked to 6bar
Expansion Vessel Connection	3/4"FBSP

Approvals

WRAS No – 0912046

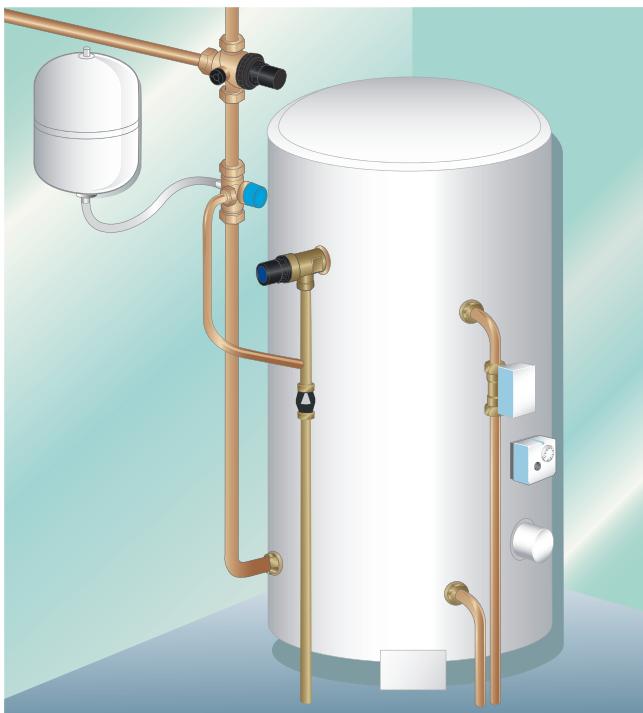
Standards

BS EN 1491

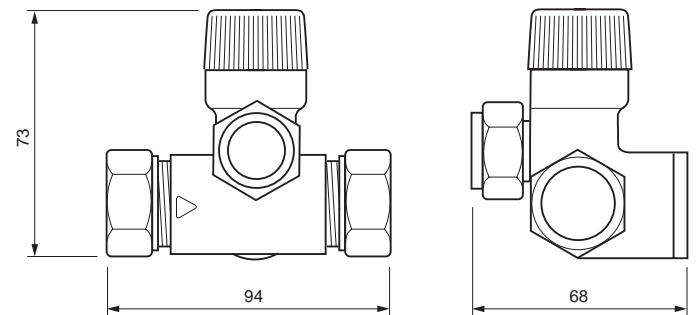
Product Codes

CORE 216 001	22mm core manifold complete with pressure relief pre-set 6bar
--------------	---

Typical Installation



Dimensions



All dimensions shown in mm unless otherwise stated

Materials

Body	DZR brass
Diaphragm	EPDM
Seal	EPDM
Spring	Stainless Steel
Cap	High grade glass fibre reinforced plastic

Reliance Water Controls Ltd
A Reliance Worldwide Company

Worcester Road, Evesham, Worcestershire, WR11 4RA, UK. UK – Freephone: 0800 389 5931
Freefax: 0800 389 5932 Outside UK – Tel: +44 (0)1386 712400 Fax: +44 (0)1386 712401 Email: sales@rwc.co.uk

www.rwc.co.uk