

312OEM SERIES PRESSURE REDUCING VALVES

Specification Sheet



The Safety Valve Specialist

Features and Benefits

- Integral Strainer
- Balanced cold water take off (some models)
- One-piece cartridge
- Compact design



Description

The 312OEM pressure reducing valve is a high quality valve, which can be used on unvented systems to control the incoming water supply to a hot water cylinder. Compact in design, the valves can be easily installed into small areas and can be fitted in any orientation. Having an integral strainer and one-piece cartridge, the valves are easy to install and maintain. As with all Reliance pressure reducers, the valves are 'droptight': meaning they will control the pressure under both flow and no-flow conditions. The availability of two different versions enables use of a balanced cold water take off which can allow the user to connect a cold water feed direct from the pressure reducing valve.

312OEM SERIES PRESSURE REDUCING VALVES

Specification Sheet



The Safety Valve Specialist

Specifications

Maximum working pressure 16bar
 Maximum temperature 25°C
 Pressure reduction ratio 10:1 max

Approvals

WRAS No. 0912309

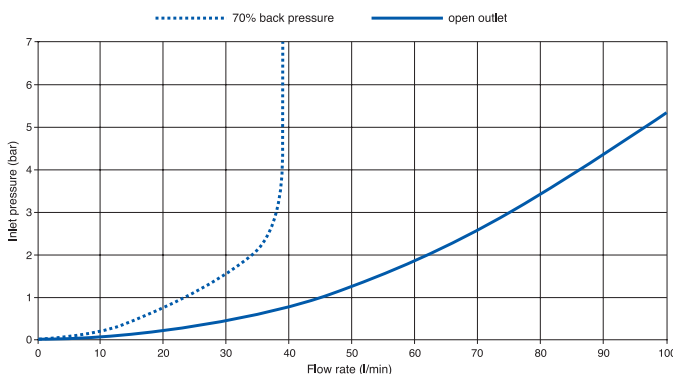
Standards

BS EN 1567

Product Codes

- PRED 330 001 22mm 312OEM Pressure reducing valves pre-set & locked 3bar
- PRED 330 002 22mm 312OEM Pressure reducing valves pre-set & locked 3.5bar
- PRED 330 005 22mm 312OEM Pressure reducing valves pre-set & locked 3bar with balanced cold water take off
- PRED 330 006 22mm 312OEM Pressure reducing valves pre-set & locked 3.5bar with balanced cold water take off
- PRED 330 007 22mm 312OEM Pressure reducing valves adjustable 1.5-6bar with balanced cold water take off

Pressure drop graph



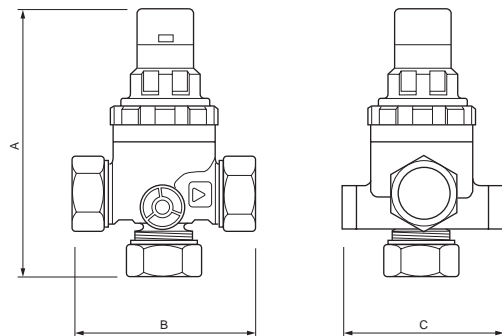
Materials

| | |
|---------------------|----------------------------|
| Body | DZR Brass |
| Internal Components | Stainless Steel |
| Seals | EPDM |
| Spring | Stainless Steel |
| Strainer | Stainless Steel |
| Diaphragm | EPDM |
| Cover | Glass filled nylon polymer |

Typical Installation

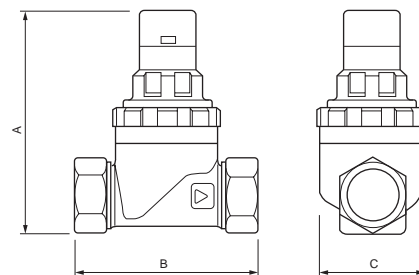


Dimensions



| Part Code | A | B | C |
|--------------|-----|----|----|
| PRED 330 005 | 120 | 81 | 74 |
| PRED 330 006 | 120 | 81 | 74 |
| PRED 330 007 | 120 | 81 | 74 |

All dimensions shown in mm unless otherwise stated



| Part Code | A | B | C |
|--------------|-----|----|----|
| PRED 330 001 | 100 | 81 | 49 |
| PRED 330 002 | 100 | 81 | 49 |

All dimensions shown in mm unless otherwise stated

Reliance Water Controls Ltd

A Reliance Worldwide Company

Worcester Road, Evesham, Worcestershire, WR11 4RA, UK. UK – Freephone: 0800 389 5931
 Freefax: 0800 389 5932 Outside UK – Tel: +44 (0)1386 712400 Fax: +44 (0)1386 712401 Email: sales@rwc.co.uk

www.rwc.co.uk