



NICKEL PLATED LEVER BALL VALVES FOR WATER (FEMALE)

BVAL400140 PN40 - blue handle 1/4" FBSP
BVAL400120 PN40 - blue handle 3/8" FBSP
BVAL400001 PN40 - blue handle 1/2" FBSP
BVAL400010 PN40 - blue handle 3/4" FBSP
BVAL400020 PN40 - blue handle 1" FBSP
BVAL400030 PN40 - blue handle 1 1/4" FBSP
BVAL400040 PN40 - blue handle 1 1/2" FBSP
BVAL400050 PN40 - blue handle 2" FBSP
BVAL400130 PN25 - blue handle 2 1/2" FBSP

BVAL400141 PN40 - red handle 1/4" FBSP
BVAL400121 PN40 - red handle 3/8" FBSP
BVAL400000 PN40 - red handle 1/2" FBSP
BVAL400011 PN40 - red handle 3/4" FBSP
BVAL400021 PN40 - red handle 1" FBSP
BVAL400031 PN40 - red handle 1 1/4" FBSP
BVAL400041 PN40 - red handle 1 1/2" FBSP
BVAL400051 PN40 - red handle 2" FBSP
BVAL400131 PN25 - red handle 2 1/2" FBSP

OVERVIEW

A complete range of full bore, isolating ball valves from 1/4" to 2 1/2" FBSP rated to PN40 or PN25. Easy to use lever handle with clear colouring to designate for hot or cold water.



WATER CONTROLS FOR A MODERN WORLD

RELIANCE

TEMPERATURE CONTROL

FLOW CONTROL

HEATING SYSTEM COMPONENTS

WASHROOM SYSTEMS

HEATING & COOLING DISTRIBUTION SYSTEMS

PLUMBING SYSTEMS

NICKEL PLATED LEVER BALL VALVES FOR WATER (FEMALE)

FEATURES AND BENEFITS

- Range of full bore ball valves
- Nickel plated
- PN40 or PN25 FBSP variants available
- Easy to use lever handle with clear colouring to designate usage: red and blue for hot and cold water in accordance with EN331
- Not suitable for chilled water

MATERIALS

Body:	Nickel plated brass
Ball:	Chrome plated brass
Stem:	Brass
Seals:	EPDM
Lever:	Zinc plated steel/PVC sleeve
Seats:	PTFE

STANDARDS AND APPROVALS

- WRAS Approved

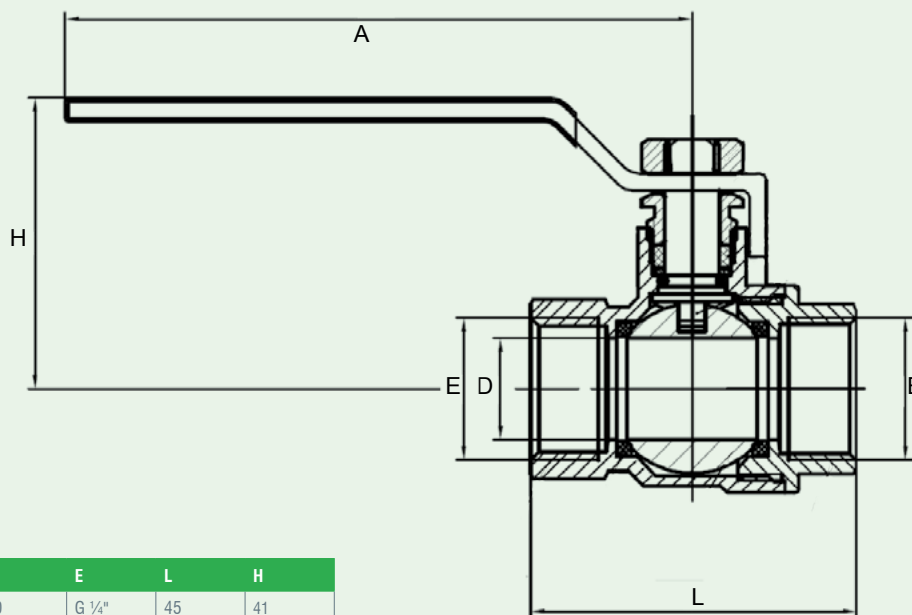
SPECIFICATIONS

Pressure rating: 25.0 or 40.0 bar
 Temperature: Max. 85°C*

* This product is not suitable for use in chilled water applications due to the risk of stress corrosion cracking (SCC).

DIMENSIONS

All dimensions in mm unless otherwise stated.



Size	A	D	E	L	H
1/4"	80	10	G 1/4"	45	41
3/8"	80	10	G 3/8"	45	41
1/2"	92	15	G 1/2"	48	45
3/4"	92	20	G 3/4"	57	48
1"	105	25	G 1"	68.5	54
1 1/4"	105	32	G 1 1/4"	80.5	63
1 1/2"	157	40	G 1 1/2"	91	68
2"	157	50	G 2"	109	86
2 1/2"	225	60	G 2 1/2"	146	122