



HOSEGUARD® BIB TAP

HTAP217008 Hoseguard 1010 bib tap
with check valves

OVERVIEW

A hose union bib tap, manufactured from DZR brass and incorporating a double check valve for backflow protection, and a test point for verification and drain down purposes. Provides protection against class 3 contamination risks, and is suitable for use as an external supply, drain off tap, or standpipe.

Designed to fit directly into a wall plate elbow via the 1/2" male inlet, and terminates in a hose tail attached to the tap body via a 3/4" BSP union.



WATER CONTROLS FOR A MODERN WORLD

RELIANCE

TEMPERATURE
CONTROL

FLOW
CONTROL

HEATING SYSTEM
COMPONENTS

WASHROOM
SYSTEMS

HEATING & COOLING
DISTRIBUTION SYSTEMS

PLUMBING
SYSTEMS

HOSEGUARD® BIB TAP

FEATURES AND BENEFITS

- Combined double check valve hose union bib tap
- Prevents backflow contamination
- Hose tail outlet
- Built-in test point and drain down facility
- Conforms to Water Supply (water fittings) Regulations, Section 6
- DZR brass body
- Fits directly into a wall-plate elbow

SPECIFICATIONS

Working pressure:	16 bar max
Working temperature:	90°C max
Inlet connection:	1/2" BSP male
Outlet connection:	Hose tail (via 3/4" BSP union)

MATERIALS

Body:	DZR brass
Check cartridges:	Acetal polymer components NBR elastomer seals Stainless steel spring

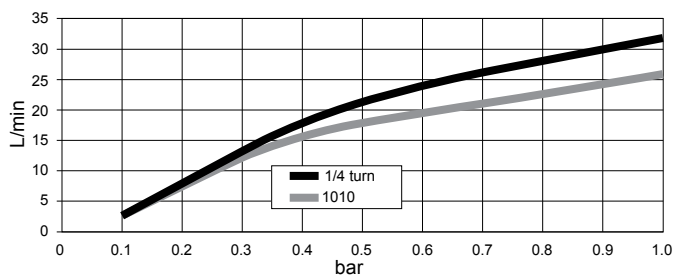
1010 Bib Tap

Headwork:	Brass
Washer:	EPDM elastomer

STANDARDS AND APPROVALS

- 1010 Bib Tap conforms to BS 1010/2
- WRAS Approved

FLOW RATES

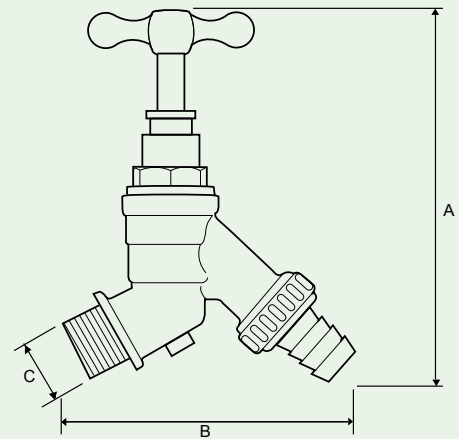


HOW TO SPECIFY

A combined hose union bib tap and double check valve with a test point for verification and drain down purposes, suitable for class 3 contamination risks. (Include correct product range code).

DIMENSIONS

All measurements in mm unless otherwise stated



HTAP217008

Product Code	A	B	C
HTAP217008	90	95	1/2" BSP