



# HEATGUARD<sup>®</sup> COMPACT

**HEAT900001**      **Heatguard Compact Pre-set Tempering Valve**



## Overview

The Heatguard Compact Tempering Valve reduces the amount of stored hot water needed for a system, which therefore allows for a smaller cylinder to be installed. It is designed to take up the absolute minimum amount of space so that it can be fitted to a water heater in all type of installations. The valve is pre-set and locked to prevent tampering or accidental adjustment.



# HEATGUARD COMPACT

## Features and Benefits

- Reduces the amount of stored hot water needed for a system which allows for a smaller tank to be installed
- 'L' pattern valve is simple to install and service
- Pre-set and locked to prevent tampering or accidental adjustment
- Provides stable mixed water temperature
- Hot and cold inlet connections are at a right angle from one another, ideal for cramped installations
- WRAS approval pending

## Specifications

Hot temperature supply range:	70-90°C
Cold temperature supply range:	5-25°C
Maximum supply pressure:	10 Bar
Permitted supply pressure variation:	1.5:1
Factory set temperature:	55°C
Minimum temperature differential: (between hot supply & outlet temperature)	15°C
Flow rate, minimum:	4lpm

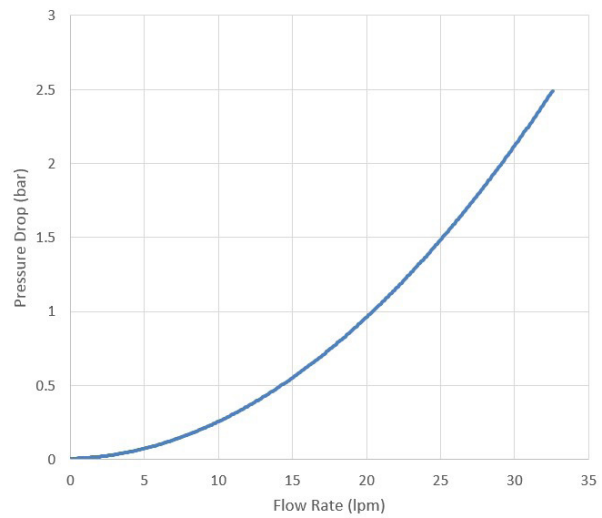
## Materials

Body	DZR brass
Seals	EPDM
Piston	Stainless steel

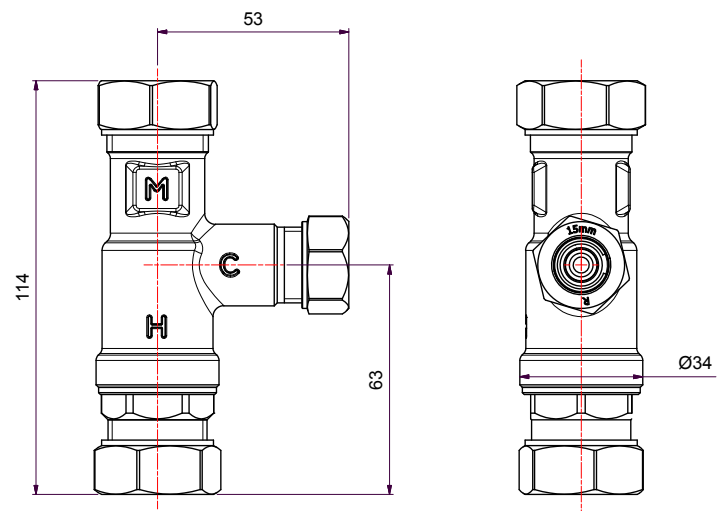
## Standards

WRAS Approval

## Flow Rates



## Dimensions



All dimensions in mm unless otherwise stated



**Reliance Worldwide Corporation (UK) Ltd,**  
 Worcester Road, Evesham, Worcs. WR11 4RA, UK  
 Tel: +44 (0)1386 712400 Fax: +44 (0)1386 712401 Web: [www.rwc.co.uk](http://www.rwc.co.uk)