



HEATGUARD® BATH SHOWER MIXER

- THRM400000 Heatguard® straight spout BSM with lever handle
- THRM400005 Heatguard® straight spout BSM with button handle
- THRM400010 Heatguard® curved spout BSM with lever handle
- THRM400015 Heatguard® curved spout BSM with button handle

OVERVIEW

A deck-mounted, dual control Type 2 approved thermostatic bath shower mixer. The two cartridge design means that all working thermostatic components are housed in a one-piece thermostatic cartridge and flow control is contained within another, for straightforward maintenance, cleaning and replacement. Check valves and strainers are built in. The temperature control handle of all models turns to a marked stop point of 38oC and use of an override button allows the user to control temperature above that temperature if desired, to a maximum of 48oC. The diverter is built in to the flow handle so that the user can switch easily between bath and shower operation.



WATER CONTROLS FOR A MODERN WORLD

RELIANCE

TEMPERATURE CONTROL

FLOW CONTROL

HEATING SYSTEM COMPONENTS

WASHROOM SYSTEMS

HEATING & COOLING DISTRIBUTION SYSTEMS

PLUMBING SYSTEMS

HEATGUARD BATH SHOWER MIXER

FEATURES AND BENEFITS

- Both thermostatic and flow control are housed in one-piece cartridges for easy maintenance or replacement
- Rapid failsafe on both hot and cold supply failure
- Provides stable mixed water temperature with user override button on temperature handle at 38°C
- Lever style handle option for easier operation
- Includes check valve, strainer and flow regulator
- Part G compliant
- Diverter between bath and shower integral in flow control

MATERIALS

Body:	Brass
Finish:	Chrome plated
Handles:	ABS
Seal:	EPDM

SPECIFICATIONS

Hot temperature supply range:	55-65°C (max 85°C)
Cold temperature supply range:	5-25°C
Factory set temperature:	38°C +/- 2°C (max 48°C +/- 2°C)
Maximum static pressure:	10.0 bar
Maximum working pressure:	5.0 bar
Minimum working pressure:	0.2 bar
Maximum supply pressure differential:	3:1
Regulated flow rate:	8 L/min
Connection size – inlets:	3/4" FBSP loose nut
Deck pillar connection to supply:	3/4" MBSP
Connection size – shower hose outlet:	1/2" MBSP

STANDARDS AND APPROVALS

- BS EN 1111:2017
- WRAS Approved
- Kiwa Type 2 Approved

SPARES

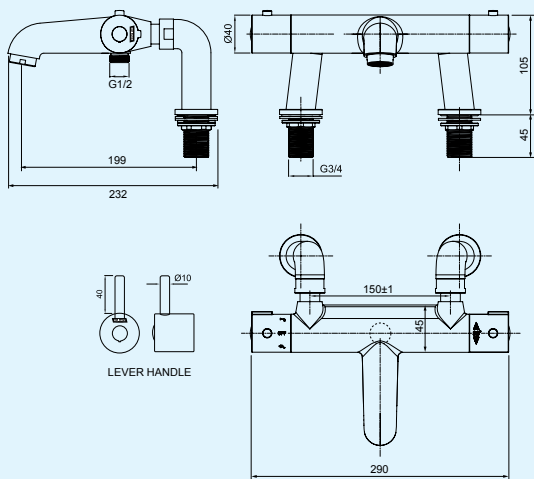
ZREG950002	8 L/min flow regulator
SKIT400003	Flow cartridge
SKIT400004	Temperature cartridge
ZNOB400000	Lever handle, flow
ZNOB400001	Lever handle, temperature
ZNOB400002	Button handle, flow
ZNOB400003	Button handle, temperature
ZBST400000	Flow straightener
PILL400000	Deck mounting pillars (pair) with filter washers
ZKIT400001	Wall plate covers and 'Z' connectors

HOW TO SPECIFY

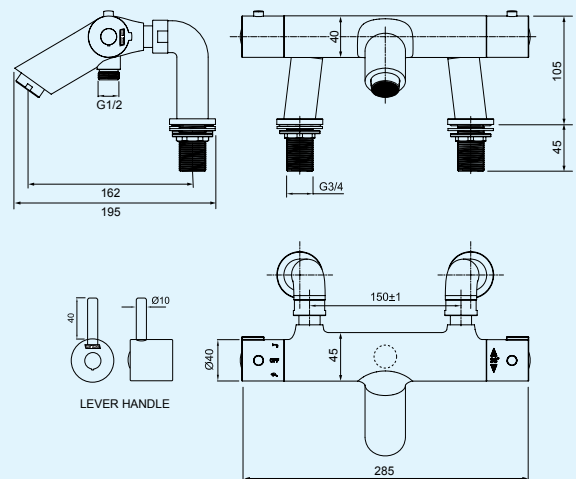
A deck mounted, sequential dual control Type 2 thermostatic bath shower mixer with one-piece thermostatic cartridge and flow cartridge, removable and serviceable strainers and check valves on both hot and cold supplies, and a flow regulator for use at the mixed water shower outlet. (Select appropriate range code)

DIMENSIONS

All dimensions in mm unless otherwise stated.



Curved Spout



Straight Spout