

Working Parameters and Specifications

Maximum pressure: 3 bar
 Maximum operating temperature, vessel: 99°C
 Maximum operating temperature, check valve and hose: 65°C

Vessel Sizing Guide

The expansion vessel kit required should be sized to the systems capacity or the rating of boiler used. The following guide can be used to size vessels up to 35 litres:

Easifit Vessel Kit	Static Head (Meters)	System Volume (Litres)	Boiler Rating	
			BTU	KW
5 Litre VESK209049	5	87	30,366	8.9
	10	69	22,559	7.18
8 Litre VESK209050	5	139	45,024	14.33
	10	111	36,133	11.50
12 Litre VESK209051	5	208	67,804	21.58
	10	167	54,199	17.25
18 Litre VESK209053	5	313	102,115	32.50
	10	250	81,157	25.83
	15	188	60,483	19.25
24 Litre VESK209053	5	435	135,321	43.07
	10	348	105,331	34.48
	15	261	81,356	25.90
35 Litre VESK209054	5	696	197,925	63.00
	10	557	158,020	50.30
	15	417	117,716	37.50



Reliance Worldwide Corporation (UK) Ltd
Worcester Road,
Evesham,
Worcester,
WR11 4RA,
UK

Tel: +44 (0)1386 712 400

Fax: +44 (0)1895 712 401

www.rwc.co.uk

Reliance Worldwide Corporation (UK) Ltd reserves the right to make changes to the product which may affect the accuracy of information contained in this leaflet.
 ZINS209122_003_01-17

Installation and Maintenance Instructions



Easifit® Sealed System Kit



The Easifit Sealed System Kit is a multibloc system, utilising proven technology in a modular easy to use form. It is designed to make initial installation of a sealed system or conventional vented heating system to a sealed heating system as easy as possible.

Reliance Worldwide Corporation (UK) Ltd.

Reliance Worldwide Corporation (UK) Ltd are part of the Australian based group of companies collectively known as Reliance Worldwide Corporation, with the UK brand known as Reliance Water Controls.

Reliance Worldwide Corporation (UK) Ltd is a specialist in the design, distribution and technical support for temperature and flow controls.

With group offices and manufacturing plants throughout the world RWC offers a wealth of knowledge and expertise which is reflected throughout our products. Being part of many specialised trade associations and having our own UKAS accredited laboratory, makes us at the forefront of any new regulations or changes which impact the industry, and allows for continuous product development and innovation, within our specialised product area.

Description

The Reliance Easifit[®] kit contains all the basic control functions needed for a sealed system: an expansion vessel and mounting bracket; a filling loop (consisting of a double check valve/isolator, a flexible hose and a shut-off valve); a pressure gauge to show system pressure valve; and a 3 bar pressure relief valve, which is part of a connection manifold.

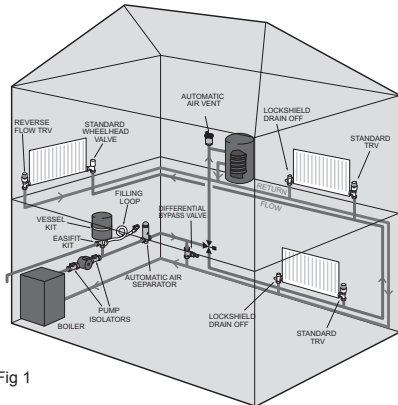


Fig 1

Installation

1.1

Select where the Easifit[®] Kit will be fitted, ideally it should be fitted at a neutral point in the system but practically fig 1 can be used as a guide.

1.2

Mount the vessel to the wall using the bracket supplied, then following the instructions supplied with the expansion vessel, adjust the pressure in the vessel to 0.2 bar or 0.3 bar above the static pressure.

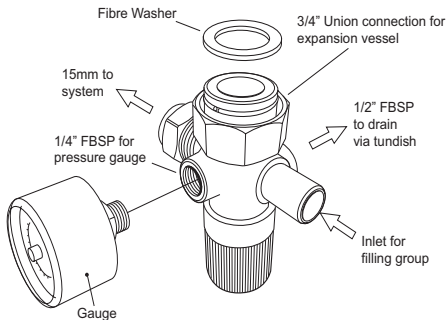
1.3

Connect the 3/4" union connection on the manifold to the expansion vessel.

NOTE: The system can be installed in any orientation as long as the seat of the pressure relief valve is drained and access can be gained to the charging part of the vessel. The recommended installation is as shown below.

1.4

Connect the pressure relief drain 1/2" FBSP connection so it take's any discharged water to a safe outlet via a tundish.



1.5

Connect the single isolator on the filling loop to the spigot on the manifold.

1.6

Connect the 15mm compression outlet connection of the manifold to the heating system.

1.7

Connect the pressure gauge to the 1/4" FBSP connection on the manifold.

1.8

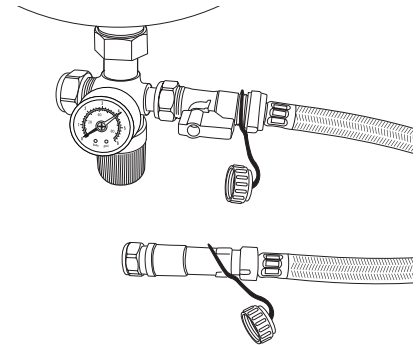
Fit the 1/4 turn ball valve (incorporates double check valve) to the mains supply and using the flexible hose connect the mains to the single isolator.

1.9

Turn the water supply on and slowly open the quarter turn valve until the system starts to fill. Check for leaks and if there are none continue to fill the system up, until 0.2 bar below the charge pressure of the expansion vessel. Check that no air is trapped in the system and if not disconnect the flexible hose.

2.0

The system can now be commissioned.



Completed Installation