



EASIFIT® SEALED SYSTEM KIT

VESK209049	5Ltr
VESK209050	8Ltr
VESK209051	12Ltr
VESK209052	18Ltr
VESK209053	24Ltr
VESK209054	35Ltr

OVERVIEW

Our Easifit® sealed system kit uses a multibloc system, utilising proven technology in a modular easy to use format. It is designed to make the initial installation process of a sealed system or conversion of a conventional vented heating system to a sealed system as easy as possible.



WATER CONTROLS FOR A MODERN WORLD

RELIANCE

TEMPERATURE
CONTROL

FLOW
CONTROL

HEATING SYSTEM
COMPONENTS

WASHROOM
SYSTEMS

HEATING & COOLING
DISTRIBUTION SYSTEMS

PLUMBING
SYSTEMS

EASIFIT® SEALED SYSTEM KIT

FEATURES AND BENEFITS

- Includes an expansion vessel with integrated bracket system for ease of installation
- The connection manifold is a one piece unit and requires no assembly
- Includes a WRAS approved filling loop with blanking caps
- Comes with an easy to read pressure gauge
- Union type connection to the expansion vessel can be orientated easily

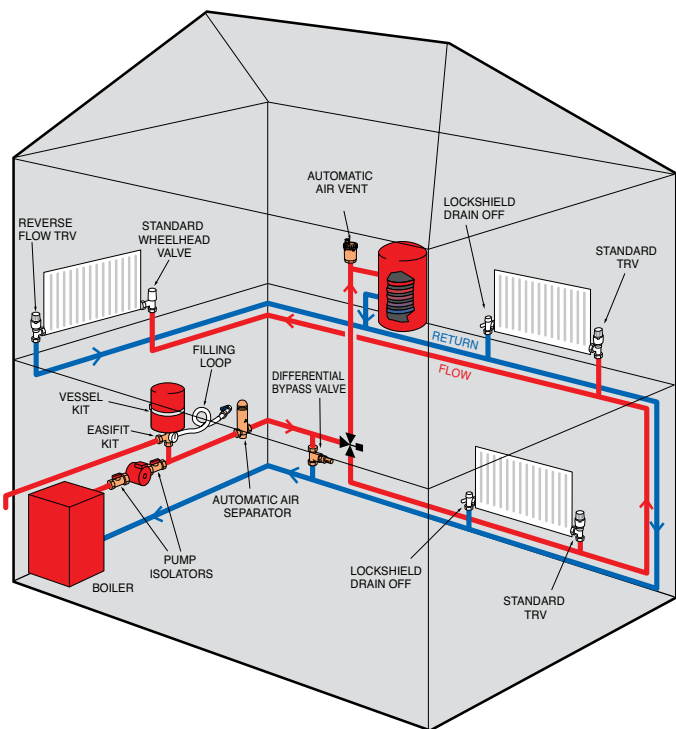
SPECIFICATIONS

Maximum temperature:	99°C
Minimum temperature:	-10°C
Maximum working pressure:	5.0 bar
Colour (vessel):	Red
Pressure relief pre-set pressure:	3.0 bar

MATERIALS

Vessel:	
Shell:	Epoxy coated steel
Membrane:	EPDM
Bolted flange:	Galvanised steel

TYPICAL INSTALLATION

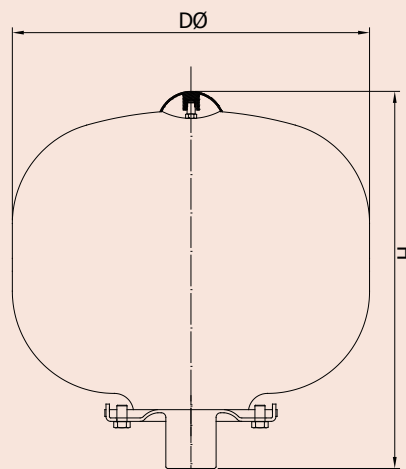


STANDARDS AND APPROVALS

- CE marked according to Directive PED 97/23/CE
- TUV Certified

DIMENSIONS

All dimensions in mm unless otherwise stated.



Capacity (Ltr)	Pre-set Pressure (Bar)	Water Connection	H-Height (mm)	DØ-Diameter (mm)
5	1.0	¼" MBSP	296	160
8	1.0	¼" MBSP	310	200
12	1.0	¼" MBSP	295	280
18	1.5	¼" MBSP	465	280
24	1.5	¼" MBSP	492	280
35	1.5	¼" MBSP	415	365

