

Ausimix[®] Compact Thermostatic Mixing Valve

High performance thermostatic mixing valve with TMV2 and TMV3 approval for versatile protection against scalding. Option of telescopic connectors for easy retrofitting. Also available with SharkBite[®] push-fit connections.

| Product code | Size | Description |
|--------------|------|---------------------------|
| HEAT110750 | 15mm | Ausimix 2-in-1 |
| HEAT110755 | 22mm | Ausimix 2-in-1 |
| HEAT110751 | 15mm | Ausimix telescopic 2-in-1 |
| SBHEAT110750 | 15mm | Push-fit Ausimix 2-in-1 |
| SBHEAT110755 | 22mm | Push-fit Ausimix 2-in-1 |
| HEAT110780 | 15mm | Ausimix 4-in-1 |
| HEAT110785 | 22mm | Ausimix 4-in-1 |
| SBHEAT110780 | 15mm | Push-fit Ausimix 4-in-1 |
| SBHEAT110785 | 22mm | Push-fit Ausimix 4-in-1 |

SBHEAT110755



HEAT110755



SBHEAT110785



HEAT110785



HEAT110751



Ausimix[®] Compact Thermostatic Mixing Valve

Features and benefits

- Rapid shutdown on either hot or cold supply failure
- Provides stable mixed water temperature
- Unique temperature adjustment tool incorporated into the cap
- HTM04-01-D08 compliant
- Flat faced union connections for ease of maintenance
- Option with SharkBite[®] push-fit connectors for even quicker heat-free installation
- Option with telescopic union connectors, adjustable by 10mm on either inlet for greater flexibility and adjustment: ideal for retro-fit applications
- 2-in-1 Version includes Check Valve's & Strainers
- 4-in-1 Version includes Check Valve's, Strainers, Isolation Valves and ¼" test ports.

Specifications

| | |
|---|--------------------|
| Factory temperature setting | 38°C |
| Temperature setting range | 38-46°C |
| Temperature, hot supply | 52-65°C (Max 85°C) |
| Temperature, cold supply | 5-25°C |
| Minimum hot to mix differential temperature | 10°C |
| Temperature stability | +/- 2°C |
| Working pressure, static | 16.0 bar max |
| Working pressure, dynamic | 0.2 to 5.0 bar |
| Maximum pressure loss ratio | 10:1 |
| Flow rate, minimum | 4 L/min |

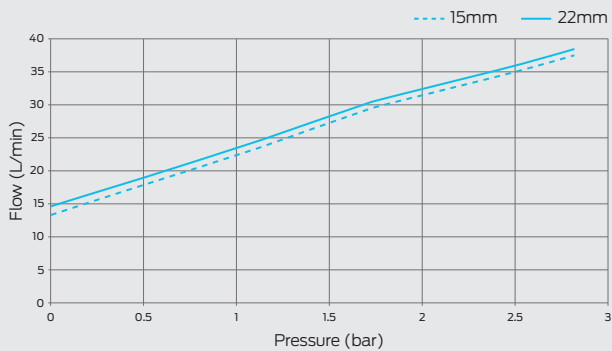
Materials

| | |
|-----------------|--------------------------|
| Body & fittings | DZR Brass, nickel plated |
| Seals | Viton |
| Spring | Stainless steel |
| Strainers | Stainless steel |
| Washers | Tesnit |

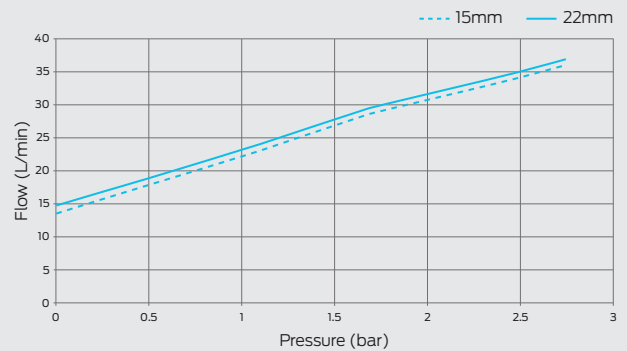
Standards and approvals

Complies with BS EN 1111, BS 7942, NHS MES D08
 WRAS Approved
 TMV2 & TMV3 Approved

Flow rates (2-in-1)

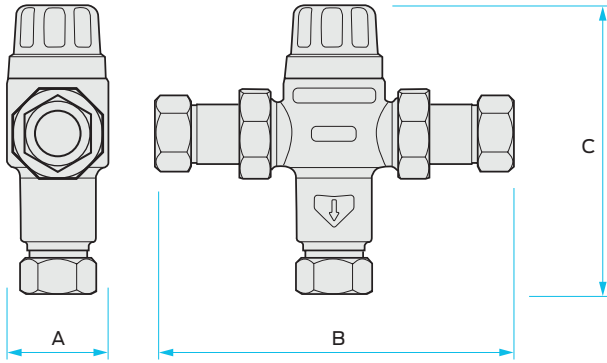


Flow rates (4-in-1)

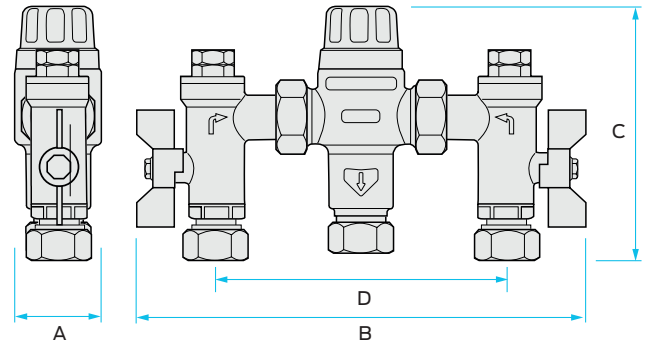


Ausimix[®] Compact Thermostatic Mixing Valve

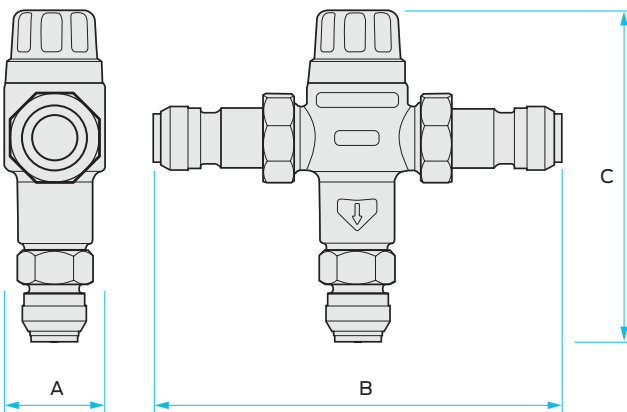
Dimensions – All measurements in mm unless otherwise stated



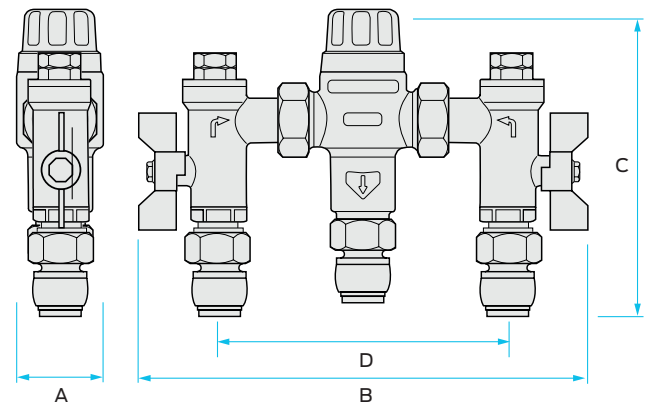
| Valve type | Product code | A | B | C |
|----------------------------|--------------|------|-----|-----|
| Ausimix 15mm 2-in-1 TMV2/3 | HEAT110750 | 39 | 130 | 103 |
| Ausimix 22mm 2-in-1 TMV2/3 | HEAT110755 | 41.5 | 148 | 102 |



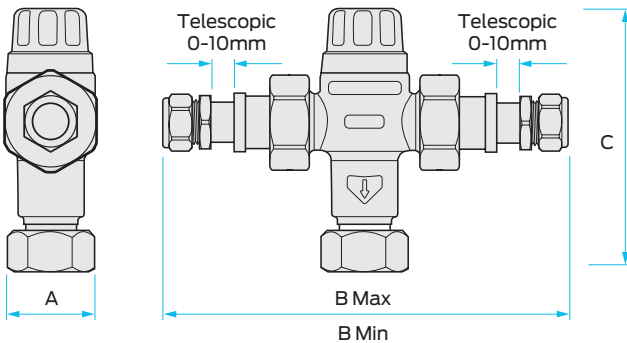
| Valve type | Product code | A | B | C | D |
|----------------------------|--------------|------|-----|-----|-----|
| Ausimix 15mm 4-in-1 TMV2/3 | HEAT110780 | 39 | 192 | 107 | 120 |
| Ausimix 22mm 4-in-1 TMV2/3 | HEAT110785 | 41.5 | 210 | 106 | 140 |



| Valve type | Product code | A | B | C |
|-------------------------------------|--------------|------|-----|-------|
| Ausimix 15mm push-fit 2-in-1 TMV2/3 | SBHEAT110750 | 39 | 149 | 120.5 |
| Ausimix 22mm push-fit 2-in-1 TMV2/3 | SBHEAT110755 | 41.5 | 170 | 122 |



| Valve type | Product code | A | B | C | D |
|-------------------------------------|--------------|------|-----|-----|-----|
| Ausimix 15mm push-fit 4-in-1 TMV2/3 | SBHEAT110780 | 39 | 192 | 122 | 120 |
| Ausimix 22mm push-fit 4-in-1 TMV2/3 | SBHEAT110785 | 41.5 | 210 | 137 | 140 |



| Valve type | Product code | A | B | C |
|---|--------------|------|---------------------|-----|
| Ausimix 15mm 2-in-1 TMV2/3 with telescopic connectors | HEAT110751 | 41.5 | 155.5 min - 177 max | 102 |