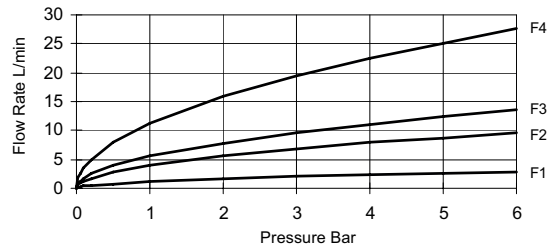
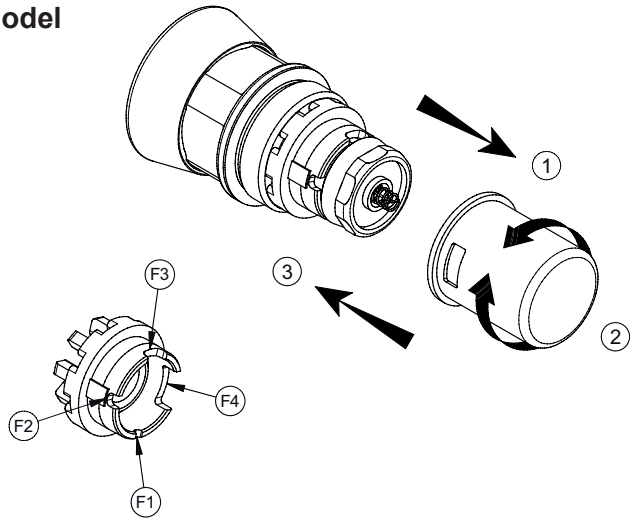


Normal Model



Reliance Worldwide Corporation (UK) Ltd  
 Worcester Road, Evesham,  
 Worcester, WR11 4RA, UK

Tel: +44 (0)1386 712 400  
 Fax: +44 (0)1895 712 401

[www.rwc.co.uk](http://www.rwc.co.uk)

Reliance Worldwide Corporation (UK) Ltd reserves the right to make changes to the product which may affect the accuracy of information contained in this leaflet.  
 ZINS200000\_002\_11-15

Installation and Maintenance Instructions



Timeflow Basin & Bib Taps



Unique engineering from timeflow specialists Presto provides a range of reliable controls for basins.

## Reliance Worldwide Corporation (UK) Ltd

Reliance Worldwide Corporation (UK) Ltd are part of the Australian based group of companies collectively known as Reliance Worldwide Corporation, with the UK brand known as Reliance Water Controls.

Reliance Worldwide Corporation (UK) Ltd is a specialist in the design, distribution and technical support for temperature and flow controls.

With group offices and manufacturing plants throughout the world RWC offers a wealth of knowledge and expertise which is reflected throughout our products. Being part of many specialised trade associations and having our own UKAS accredited laboratory, makes us at the forefront of any new regulations or changes which impact the industry, and allows for continuous product development and innovation, within our specialised product area.

## Description

Range of high quality taps featuring a self cleaning one piece cartridge flow regulation and 15 sec timed flow rate according to BSEN 816. This guide contains information for the: 606, 606 S basin taps, 706 lever basin tap, 506, 506 S bib taps.

## Specification

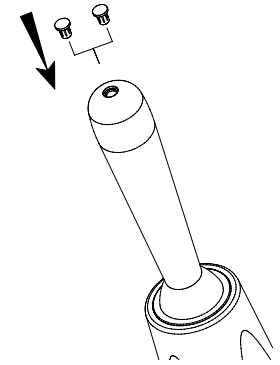
Connections:	1/2"MBSP
Pre-set Flowrate:	6LPM at 1 Bar
Min. Pressure:	0.2 Bar
Max. Working Pressure:	6 Bar
Max. Temperature:	80°C
Time delay:	15 Seconds

## Installation

Connect to hot or cold supply.

Ensure pipe work is flushed through.

Insert the relevant indice hot or cold into the push button or lever handle.



## Adjusting Flowrate

### Security Model

