

fig. 1

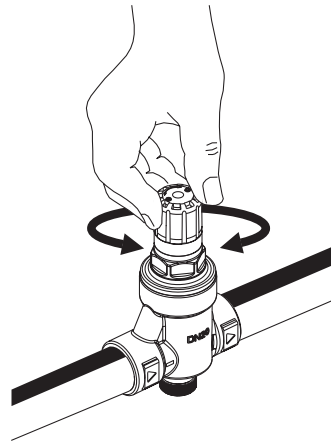


fig. 2

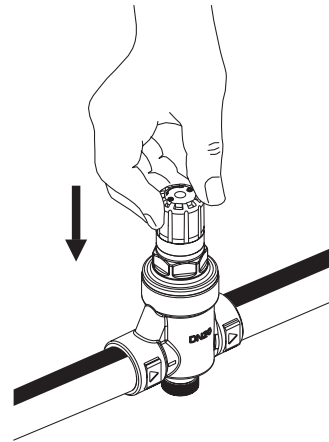


fig. 3

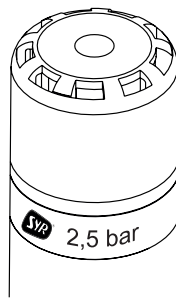


fig. 4

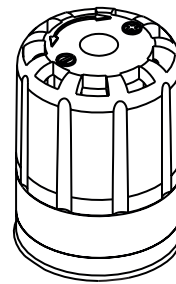


fig. 5

Flow rate:

Nominal size		DN 15	DN 20
$V_s$ in m <sup>3</sup> /h (according to EN 1567)	residential buildings 2 m/s	1,3	2,3
$V_s$ in m <sup>3</sup> /h (according to DIN 1988)	commercial buildings 2 m/s	1,8	3,3

## Field of application

The pressure reducing valve Easi-set 320 complies with the European Standard EN 1567 and reduces the pressure in installations and devices.

## Design

**Operating Temp.:** 45°C continuous (blue cap version), 60°C continuous (blue cap version), 80°C continuous (red cap version); **Inlet pressure:** max. 16 bar; **Outlet pressure:** adjustable 1.5-5.5 bar or pre-set to 2,5 bar; **Fluids:** potable water, compressed air, neutral non adhesive fluids, neutral gases; **Dimensions:** DN15-DN20.

## Installation

The pressure reducing valve is predominantly used in the field of potable water installations. A filter installed upstream effectively protects the pressure reducing valve according to the European Standard 13443-1. Install the pressure reducing valve in the pipe under consideration of the direction of flow without applying stresses.

## Operation

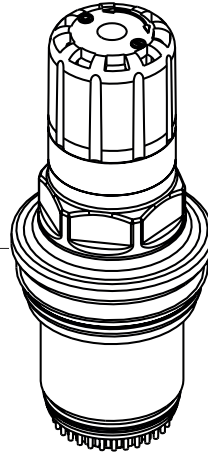
- 1) Preset type, non adjustable (fig. 4): Outlet pressure in the ring.
- 2) Adjustable type (fig. 5): The Easi-set 320 series pressure reducing valve is equipped with a lift and twist adjustment mechanism. To adjust the pressure pull the blue (cold water) or the red (hot water) knob into the up position (fig. 1). Turn the knob as indicated on the top (-) to the minimum setting until the control knob hits the stop. Next open a tap downstream to bleed off the excess system pressure, then close the tap. Now turn the control knob as indicated to increase the pressure (+) until the desired pressure is established (fig. 2 + 5). Finally push the the valve control knob back down into the locked position (fig. 3).

## Maintenance

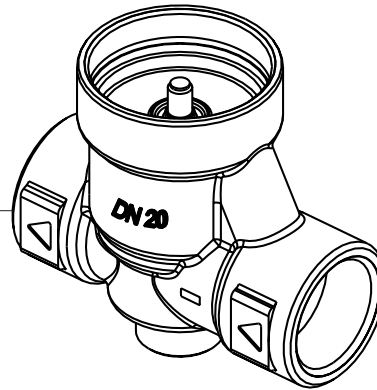
Pressure increase can be caused by back pressure from the system downstream due to a defective check valve located downstream or dirt in the valve seat, in which case the cartridge of the pressure reducing valve needs cleaning: close isolating valves upstream and downstream of the pressure reducing valve; unscrew the cap and remove the cartridge; clean the cartridge with COLD CLEAR WATER ONLY; assembly in reversed order.

## Spare Parts

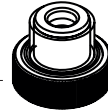
REDC 320 001 (45°C)  
REDC 320 005 (80°C)



Body



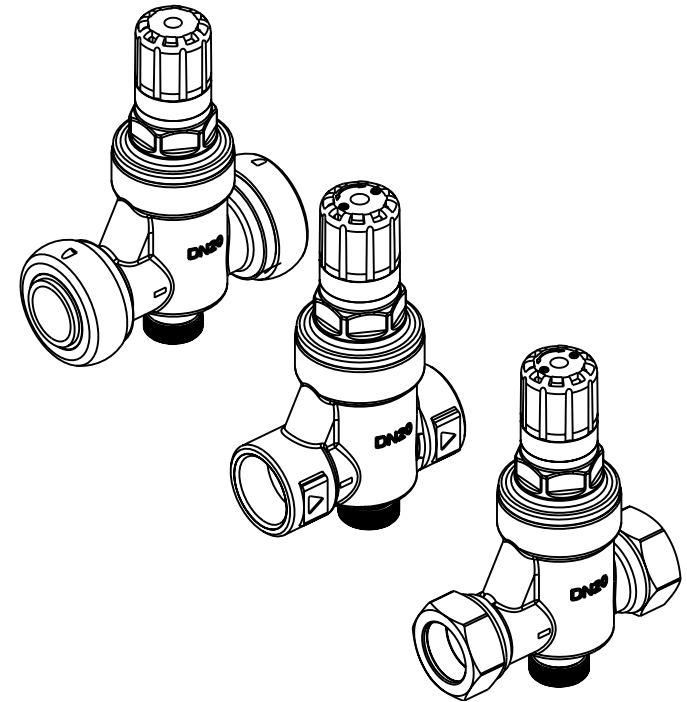
ZPLG 221 002



# RELIANCE

WATER CONTROLS

## Instructions for use



## Pressure reducing valve type Easi-set 320 series

Reliance Water Controls Ltd.  
Worcester Road, Evesham, WR11 4RA, UK  
Tel.: +44 (0) 1386 712400, Fax: +44 (0) 1386 712401  
<http://www.rwc.com>

Installation and maintenance should only be undertaken by competent personnel. The packing is provided to protect the valve during transport. Please do not install the valve in case of severe damage. The warranty is not applicable when the malfunction of the valve is caused by dirt. Follow the maintenance indications!