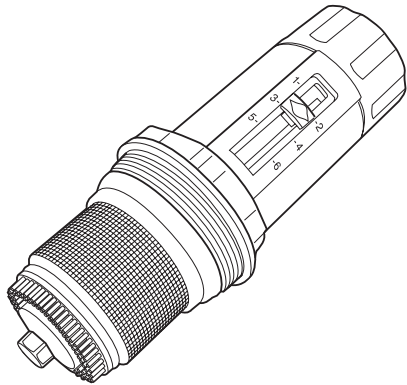


Working Parameters and Specifications

Maximum Inlet Pressure:	25 bar
Outlet Adjustable Pressure:	1.0 - 6 bar
Pre-set Pressure:	4 bar
Maximum Temperature:	70°C
Test Port Size:	¼" BSP
Suitable Media:	Water Compressed Air Neutral non-adhesive liquids/gases

Spares



Product Code	Description
REDC315010:	Adj 1.0-6 bar PRV cartridge for ½" & ¾" MBSP valve
REDC315020:	Adj 1.0-6 bar PRV cartridge for 1" MBSP valve
REDC315030:	Adj 1.0-6 bar PRV cartridge for 1 ¼", 1 ½" & 2" MBSP valve
REDC315035:	Pre-set 3.5 bar PRV cartridge for 28mm compression



**Reliance Worldwide Corporation
(UK) Ltd
Worcester Road,
Evesham,
Worcester,
WR11 4RA,
UK**

**Tel: +44 (0)1386 712 400
Fax: +44 (0)1895 712 401**

www.rwc.co.uk

**Installation and Maintenance
Instructions**

RELIANCE
WATER CONTROLS

**315i Pressure Reducing
Valves**



Reliance Worldwide Corporation (UK) Ltd.

Reliance Worldwide Corporation (UK) Ltd are part of the Australian based group of companies collectively known as Reliance Worldwide Corporation, with the UK brand known as Reliance Water Controls.

Reliance Worldwide Corporation (UK) Ltd is a specialist in the design, distribution and technical support for temperature and flow controls.

With group offices and manufacturing plants throughout the world RWC offers a wealth of knowledge and expertise which is reflected throughout our products. Being part of many specialised trade associations and having our own UKAS accredited laboratory, makes us at the forefront of any new regulations or changes which impact the industry, and allows for continuous product development and innovation, within our specialised product area.

General Function

The 315i pressure reducing valve is predominantly used in commercial installations for protection against excess supply pressure. The pressure reducing valve will protect water systems from fluctuating mains supplies, which can potentially cause damage to any plumbing system. The valves are 'drop tight' therefore they will not allow the pressure to increase (creep) under no flow conditions.

Installation

Please ensure you do not put the valve under any undue stress in the pipe work.

Install the 315i pressure reducing valve into your pipe work, it can be installed in any orientation as long as the flow is in the correct direction, this is indicated by the arrow on the base of the valve.

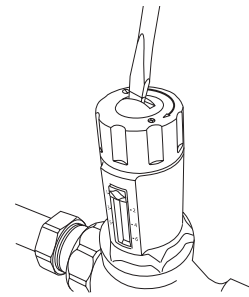
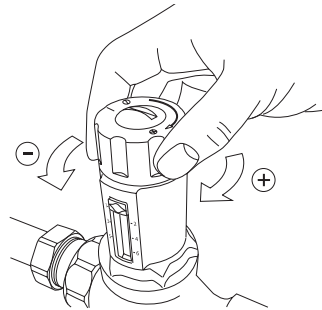
The minimum pipe length downstream of the PRV, before any elbow is fitted must be no less than 5 times the pipe work size. Eg. DN25 would equal 5" distance. This is to protect against noise and to ensure a laminar flow.

Commissioning

Please Note: The valve should only be adjusted when under no flow conditions.

To adjust and set the pressure on the valve:

1. Loosen the securing screw on top of the pressure reducing valve cartridge

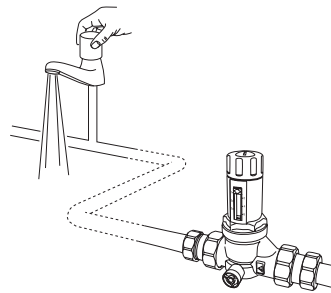


2. Twist the cap anti-clockwise to decrease the pressure down to it's minimum setting

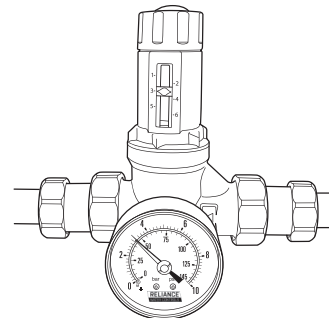
3. Open a tap downstream of the pressure reducing valve to relieve the excess pressure for a couple of seconds.

4. Twist the cap clockwise to increase the pressure to the desired setting

5. The pressure indicator on the side of the cartridge will show the set pressure, but alternatively you may fit a 1/4" pressure gauge to the test ports on the base of the valve.



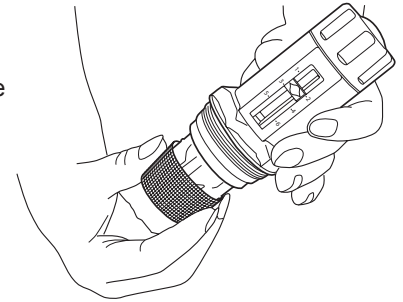
6. Re-tighten the securing screw on the top of the cartridge.



Maintenance

To service the integral strainer:

1. Isolate the water upstream and downstream of the pressure reducing valve
2. Use a spanner on the base of the cartridge to unscrew it. Once loose, you can remove the cartridge from the brass body.



3. The strainer can be found at the base of the cartridge, it can easily be removed by sliding it off the end of the cartridge
4. Rinse the strainer under clean running water, until any debris has been washed away
5. Replace the strainer onto the end of the cartridge
6. Re-insert the pressure reducing valve cartridge into the brass body
7. Using a spanner, screw the cartridge back into the valve body.

