



314 DIAL-UP PRESSURE REDUCING VALVE

PRED314001	1/2" FBSP
PRED314005	3/4" FBSP
PRED314010	1/2" MBSP union
PRED314015	3/4" MBSP union
SBPRED314001	15mm push-fit
SBPRED314005	22mm push-fit

OVERVIEW

An adjustable pressure reducing valve, incorporating an easy to read pressure indicator dial. MBSP connection complete with union fitting for ease of servicing, or FBSP for direct connection. Available with SharkBite® metal push-fit connections for even quicker installation.



WATER CONTROLS FOR A MODERN WORLD

RELIANCE

TEMPERATURE
CONTROL

FLOW
CONTROL

HEATING SYSTEM
COMPONENTS

WASHROOM
SYSTEMS

HEATING & COOLING
DISTRIBUTION SYSTEMS

PLUMBING
SYSTEMS

314 DIAL-UP PRESSURE REDUCING VALVE

FEATURES AND BENEFITS

- One piece, easy to replace cartridge contains all the working components
- Suitable for hot and cold water applications for installation flexibility
- Easy to read pressure indicator dial
- Integral strainer to protect the cartridge and the installation
- MBSP connection complete with union fitting for ease of servicing
- Can be installed in any orientation

SPECIFICATIONS

Maximum working pressure:	25.0 bar
Adjustable set pressure:	1.0-6.0 bar
Pressure reduction ratio:	10:1
Maximum working temperature:	70°C

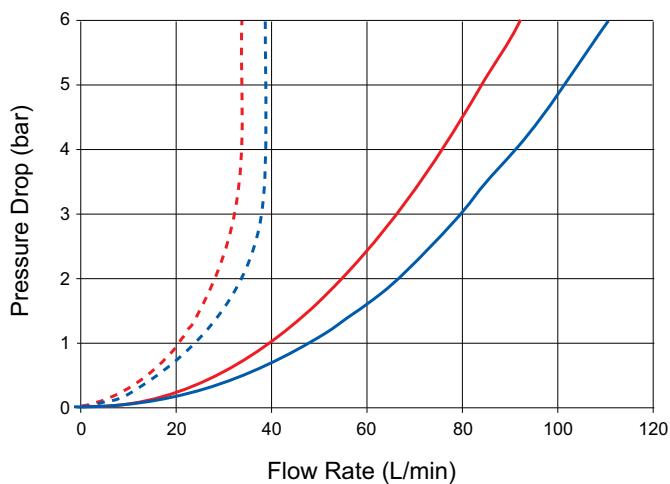
MATERIALS

Body:	DZR brass
Internal components:	DZR brass
Seals:	EPDM
Spring:	Zinc plated spring steel
Strainer:	Stainless steel
Diaphragm:	EPDM
Cover:	ABS

STANDARDS AND APPROVALS

- WRAS Approved

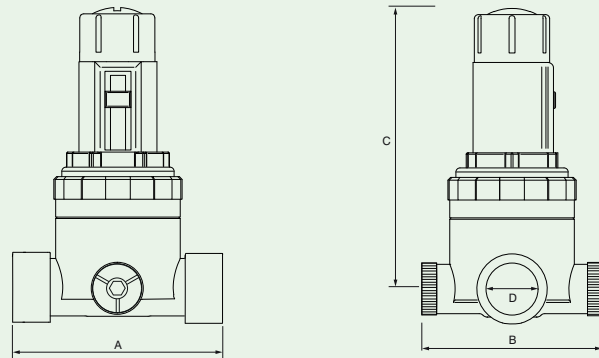
FLOW RATES



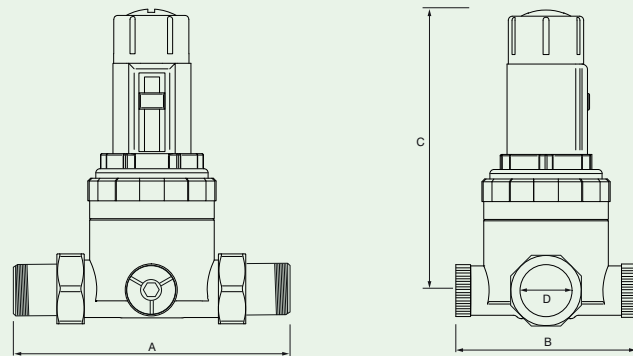
- 70% back pressure
- Open outlet
- Red = 1/2" FBSP & MBSP
15mm push-fit
- Blue = 3/4" FBSP & MBSP
22mm push-fit

DIMENSIONS

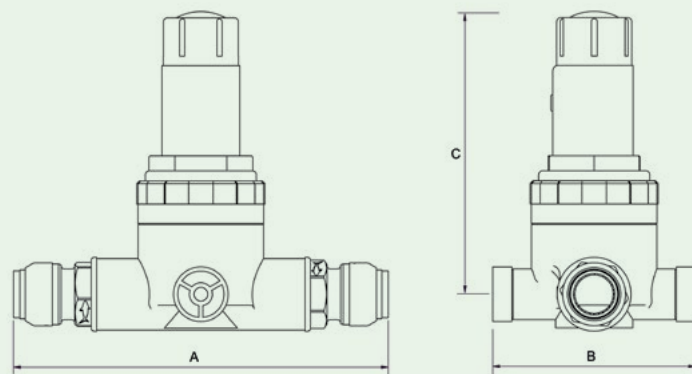
All measurements in mm unless otherwise stated



PRED314001 and PRED314005



PRED314010 and PRED314015



SBPRED314001 and SBPRED314005

	A	B	C	D
PRED314001	72	74	103	1/2" FBSP
PRED314005	76	74	103	3/4" FBSP
PRED314010	125	74	103	1/2" MBSP
PRED314015	134	74	103	3/4" MBSP
SBPRED314001	137	74	103	15mm push-fit
SBPRED314005	145	74	103	22mm push-fit