



## MULTI-JET COLD WATER METER - DRY DIAL: 210 SERIES

WATM210001	1/2" MBSP union
WATM210004	3/4" MBSP union
WATM210007	1" MBSP union
WATM210008	1 1/4" MBSP union
WATM210009	1 1/2" MBSP union
WATM210010	2" MBSP union
WATM210050	1/2" MBSP union, with pulse output
WATM210053	3/4" MBSP union, with pulse output
WATM210056	1" MBSP union, with pulse output
WATM210057	1 1/4" MBSP union, with pulse output
WATM210058	1 1/2" MBSP union, with pulse output
WATM210059	2" MBSP union, with pulse output

### OVERVIEW

Horizontal, multi-jet, dry dial cold water meter for general metering purposes in domestic or small commercial and industrial applications where there is requirement to record very low flow rates. Suitable for both single and multiple outlets with good water quality. Designated as a class 'B' meter, this range has a direct coupling to the dial from the turbine. It can be fitted horizontally, and is suitable for water operating temperatures of up to 30°C. Available with or without pulse output.



WATER CONTROLS FOR A MODERN WORLD

**RELIANCE**

TEMPERATURE  
CONTROL

FLOW  
CONTROL

HEATING SYSTEM  
COMPONENTS

WASHROOM  
SYSTEMS

HEATING & COOLING  
DISTRIBUTION SYSTEMS

PLUMBING  
SYSTEMS

# MULTI-JET COLD WATER METER - DRY DIAL: 210 SERIES

## FEATURES AND BENEFITS

- Highly accurate metering capability at very low flow rates
- Simple construction allows ability to cope with a wide range of water qualities
- Silent operation
- Supplied complete with nuts, tails and washers
- Pulse output option

## SPECIFICATIONS

Maximum pressure: 16.0 bar  
 Pressure loss at Qmax: 1.0 bar  
 Maximum operating temperature: 30°C

## MATERIALS

Main body: Cast brass  
 Head ring: Stamped brass  
 Turbine: Polyamide polymer  
 Counter casing: Polycarbonate  
 Counter components: Polystyrene  
 Gears: Acetyl polymer  
 Glass plate: ASA polymer, UV modified  
 Bearing: Polysulfone polymer  
 Seals: Elastomer  
 Protective coating: Epoxy

## STANDARDS AND APPROVALS

- Manufactured in an ISO 9001 registered company
- Conforms to ISO 4064 Part 1 (Horizontal installation)

## NOMINAL FLOW RATES

Product Code	Flow Rate
WATM210001 / WATM210050	1.5m³/h
WATM210004 / WATM210053	2.5m³/h
WATM210007 / WATM210056	3.5m³/h
WATM210008 / WATM210057	6.0m³/h
WATM210009 / WATM210058	10.0m³/h
WATM210010 / WATM210059	15.0m³/h

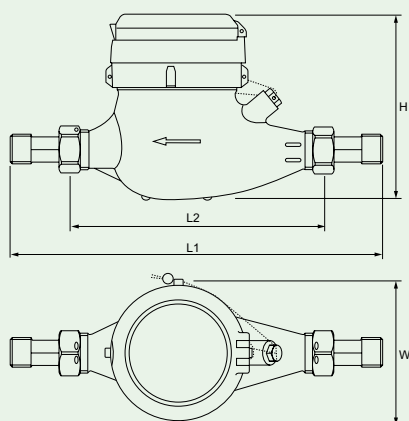
## HOW TO SPECIFY

A horizontal multi-jet, dry dial cold water meter for general metering purposes for use with either single or multiple outlets. Normal operating temperatures will be up to 30°C for Class B applications. (Include correct product range code).

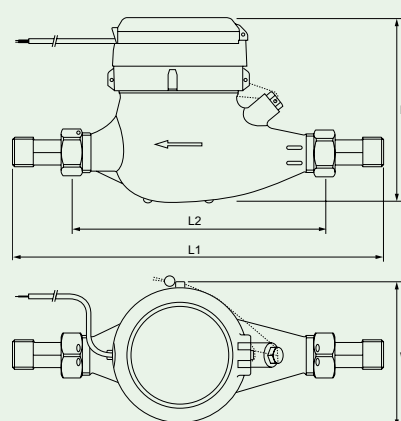
## DIMENSIONS

All measurements in mm unless otherwise stated

MBSP union



MBSP union, with pulse output



Product Code	Connection	L1	L2	H	W
WATM210001	½" MBSP	243	165	120	95
WATM210004	¾" MBSP	288	190	115	95
WATM210007	1" MBSP	293	175	120	100
WATM210008	1¼" MBSP	378	260	140	100
WATM210009	1½" MBSP	438	300	170	131
WATM210010	2" MBSP	438	300	190	165

Product Code	Connection	L1	L2	H	W
WATM210050	½" MBSP	243	165	120	95
WATM210053	¾" MBSP	288	190	115	95
WATM210056	1" MBSP	293	175	120	100
WATM210057	1¼" MBSP	378	260	140	100
WATM210058	1½" MBSP	438	300	170	131
WATM210059	2" MBSP	438	300	190	165