



HEATGUARD PLANAR® GROUP MIXING VALVE

HEAT230100	15mm Heatguard Planar 230 4-in-1
HEAT330100	22mm Heatguard Planar 330 4-in-1
HEAT430100	28mm Heatguard Planar 430 4-in-1
HEAT530100	28mm Heatguard Planar 530 4-in-1 with 35mm Outlet

OVERVIEW

A high flow rate thermostatic mixing valve for group mixing applications. Primarily used for multiple outlet shower or basin installations where stable outlet temperature at varying flow rates is important. Comes complete with 4-in-1 fittings, consisting of a full flow, chrome-plated ball type isolating valve and high flow barrel type strainer protecting the check cartridge/non-return valve from any system contamination. Also includes a 1/4" BSP test point for monitoring system conditions such as temperature, pressure and cross-flow. For ease of installation the valve is supplied with compression connections on both the inlets and the outlet. Supplied with Allen keys for removal of the adjustment knob and backplate, and a fixing kit for wall mounting applications.



WATER CONTROLS FOR A MODERN WORLD

RELIANCE

TEMPERATURE
CONTROL

FLOW
CONTROL

HEATING SYSTEM
COMPONENTS

WASHROOM
SYSTEMS

HEATING & COOLING
DISTRIBUTION SYSTEMS

PLUMBING
SYSTEMS

HEATGUARD PLANAR® GROUP MIXING VALVE

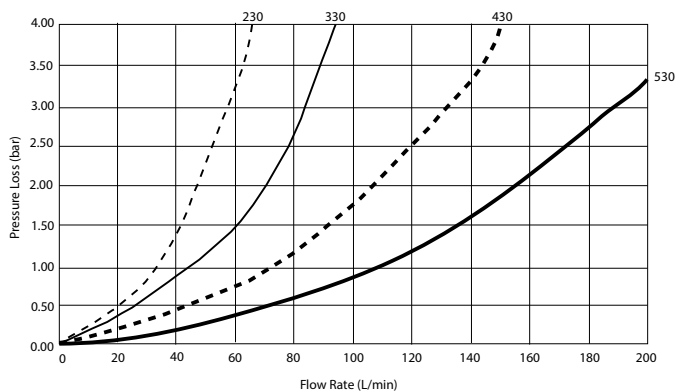
FEATURES AND BENEFITS

- Extremely stable mixed water temperature even under extreme or unusual supply conditions
- Two quick reaction wax thermostats provide fine temperature control even with varying outlet flow rates
- Optional user-adjustable or lockable (and tamperproof) temperature control gives complete flexibility to the end user
- High flow rates for valves in this class
- Compression connections on the inlets and outlet for ease of installation
- 4-in-1 service fittings provide isolation, filtration, cross-flow prevention, and a gauge port for testing in a single compact unit

SPECIFICATIONS

Factory set temperature:	41°C
Adjustable outlet temperature range:	38 - 46°C
Hot water supply temperature:	52 - 85°C
Must maintain a minimum hot-to-mix temperature differential of 15°C to ensure shut-off on cold supply failure.	
Cold water supply temperature:	5 - 20°C
Temperature stability (nominal):	+ 3°C
Static pressure:	16.0 bar max
Operating pressure:	0.2 - 6.0 bar
Max pressure loss ratio (either supply):	2:1
Pressure variation:	+10% max
Minimum flow rate:	HEAT230100 - 5 L/min HEAT330100 - 6 L/min HEAT430100/HEAT530100 - 8 L/min

FLOW RATES

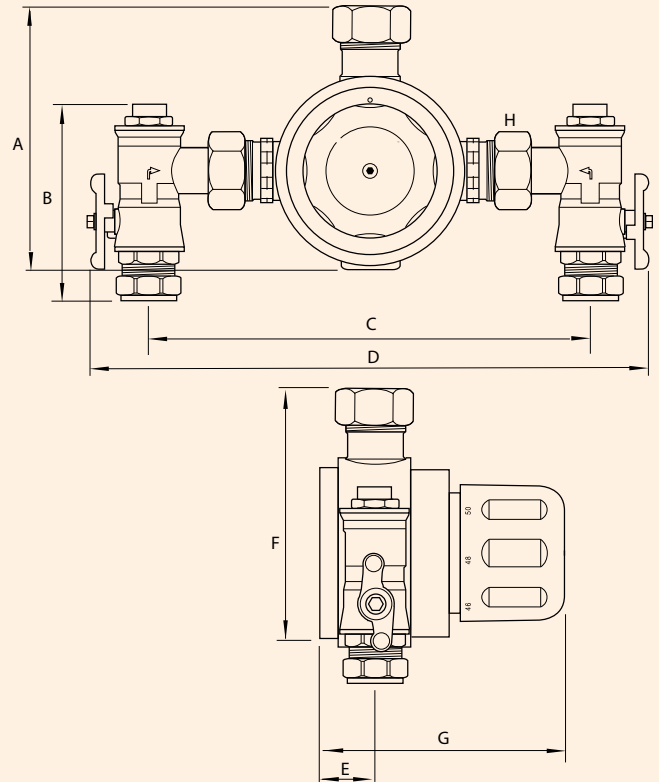


APPROVALS

- WRAS Approved

DIMENSIONS

All dimensions in mm unless otherwise stated.



	A	B	C	D	E	F	G	H
HEAT230100	100	85	185	250	25	70	125	¾" BSP
HEAT330100	135	105	245	320	30	95	127	1" BSP
HEAT430100	170	125	275	355	40	105	127	1 ¼" BSP
HEAT530100	180	125	275	355	40	105	127	1 ¼" BSP