



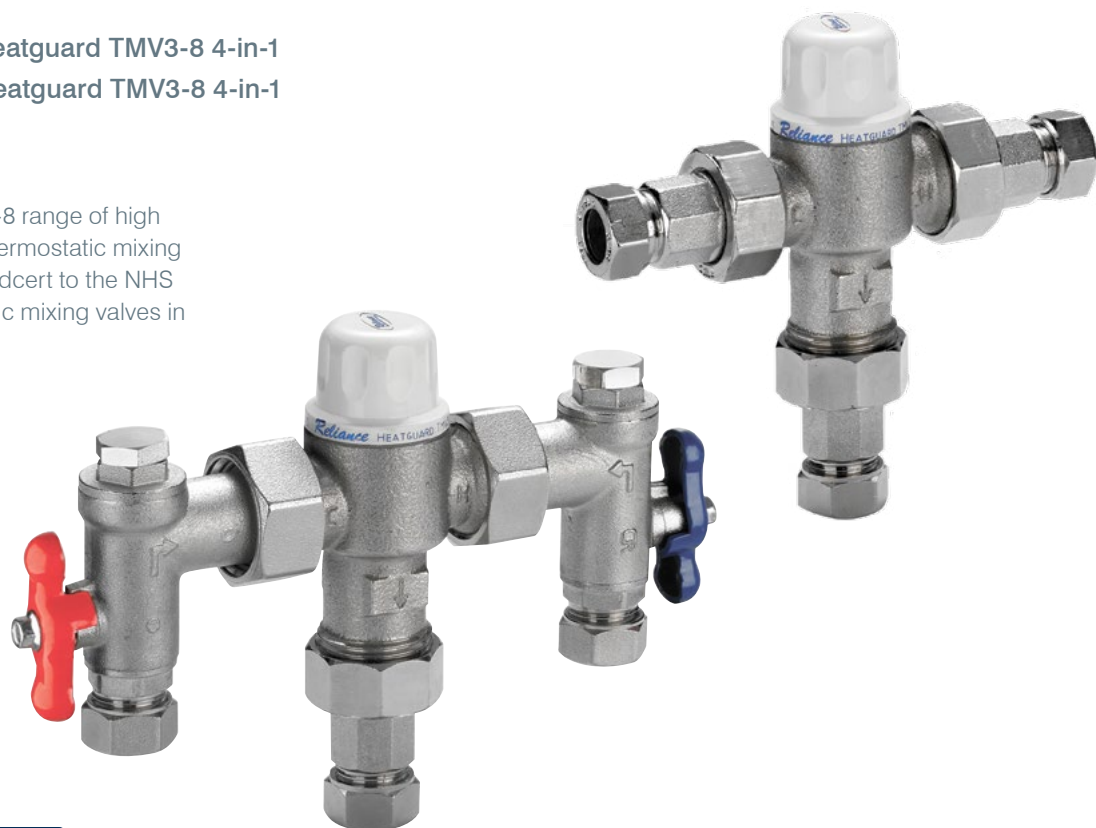
# HEATGUARD® TMV3-8 THERMOSTATIC MIXING VALVE

- HEAT160015      15mm Heatguard TMV3-8 2-in-1
- HEAT160020      22mm Heatguard TMV3-8 2-in-1
- HEAT160005      15/22mm Universal Heatguard TMV3-8 2-in-1

- HEAT160030      15mm Heatguard TMV3-8 4-in-1
- HEAT160035      22mm Heatguard TMV3-8 4-in-1

## OVERVIEW

The Reliance Heatguard® TMV3-8 range of high performance TMV3 approved thermostatic mixing valves are fully approved by Buildcert to the NHS D08 specification for thermostatic mixing valves in healthcare premises.



WATER CONTROLS FOR A MODERN WORLD

**RELIANCE**

TEMPERATURE  
CONTROL

FLOW  
CONTROL

HEATING SYSTEM  
COMPONENTS

WASHROOM  
SYSTEMS

HEATING & COOLING  
DISTRIBUTION SYSTEMS

PLUMBING  
SYSTEMS

# HEATGUARD® TMV3-8 THERMOSTATIC MIXING VALVE

## FEATURES AND BENEFITS

- Fully approved by Buildcert under the TMV3 Scheme for basin, bidet, shower and high pressure bathfill applications
- Union connections give total installation flexibility
- Rapid failsafe on either hot or cold supply failure
- Unique purpose-built adjuster tool prevents unauthorised tampering

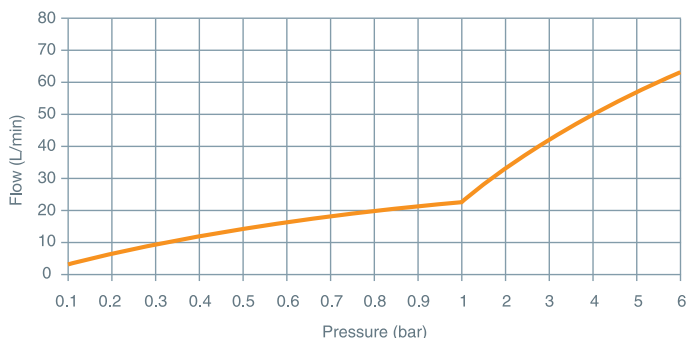
## SPECIFICATIONS

Factory temperature setting:	38°C
Temperature setting range:	38-46°C
Temperature, hot supply:	52-90°C (55°C-60°C is recommended)
Temperature, cold supply:	5-20°C
Minimum hot to mix differential temperature:	10°C
Temperature stability:	± 2°C
Maximum static pressure:	16.0 bar
Working pressure range, dynamic:	0.1 to 5.0 bar
Maximum pressure loss ratio:	10:1
Minimum flow rate:	4 L/min
Flow rate @ 1.0 bar pressure loss:	21 L/min

## MATERIALS

Body:	Gunmetal
Seals:	Viton
Spring:	Stainless steel
Fittings:	DZR brass
Strainers:	Stainless steel

## FLOW RATES

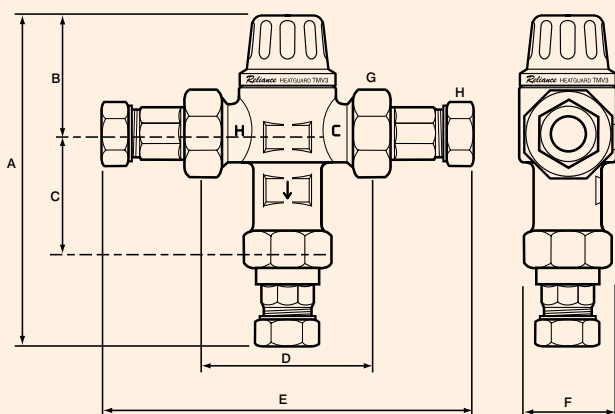


## STANDARDS AND APPROVALS

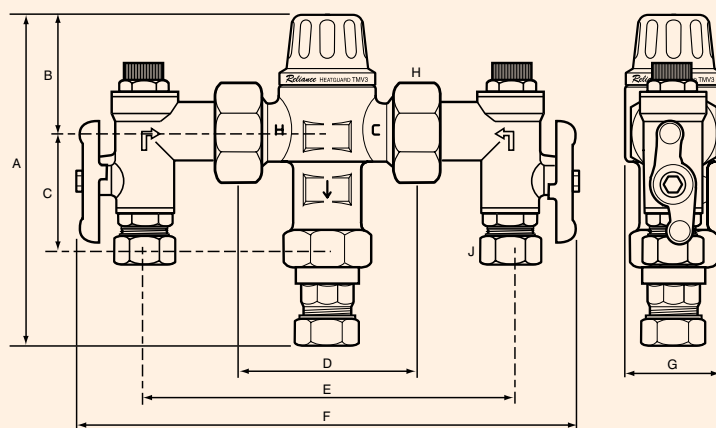
- Complies with BS7942, NHS MES D08
- WRAS Approved
- TMV3 Approved

## DIMENSIONS

All dimensions in mm unless otherwise stated.



	A	B	C	D	E	F	G	H
HEAT160015	145	50	50	78	160	40	1" BSP	15
HEAT160020	145	50	50	78	160	40	1" BSP	22
HEAT160005	145	50	50	78	160	40	1" BSP	15/22mm Univ.



	A	B	C	D	E	F	G	H	J
HEAT160030	145	50	50	78	157	220	40	1" BSP	15
HEAT160035	145	50	50	78	157	220	40	1" BSP	22