



HEATGUARD® BF2-2 THERMOSTATIC MIXING VALVE

HEAT115100 22mm Heatguard BF2-2 2-in-1
HEAT115105 22mm Heatguard BF2-2 4-in-1

OVERVIEW

A high performance TMV2 approved thermostatic mixing valve designed specifically for high flow bath fill when fitted on low pressure domestic systems. It is fully approved by Buildcert to the TMV2 scheme for thermostatic mixing valves in domestic properties and provides precise and stable temperature control if either the hot or cold supply fails. The 2-in-1 model has single check valves fitted to its inlets to prevent cross-flow and disc type stainless steel strainers fitted in front of the check cartridges to protect them from damage by system contamination. The 4-in-1 has specially constructed inlet fittings incorporating isolation, filtration and a test point for temperature and pressure.



WATER CONTROLS FOR A MODERN WORLD

RELIANCE

TEMPERATURE
CONTROL

FLOW
CONTROL

HEATING SYSTEM
COMPONENTS

WASHROOM
SYSTEMS

HEATING & COOLING
DISTRIBUTION SYSTEMS

PLUMBING
SYSTEMS

HEATGUARD® BF2-2 THERMOSTATIC MIXING VALVE

FEATURES AND BENEFITS

- Specifically designed to give high flow rates on low pressure systems
- Ideal for fitting to baths in low pressure systems to comply with Part G regulations
- TMV2 approved by Buildcert for peace of mind
- Technically advanced construction means longer life and reduced maintenance intervals
- Can be used for group showering applications

SPECIFICATIONS

Factory temperature setting:	41°C
Temperature setting range:	35-50°C
Temperature, hot supply:	52-90°C
	(55-60°C is recommended)
Temperature, cold supply:	5-25°C
Minimum hot to mix differential temperature:	10°C
Temperature stability:	± 2°C
Maximum static pressure:	16.0 bar
Working pressure range, dynamic:	0.2 to 6.0 bar
Minimum flow rate:	4 L/min
Flow rate @ 1.0 bar pressure loss:	55 L/min
Flow rate @ 2.0 bar pressure loss:	75 L/min

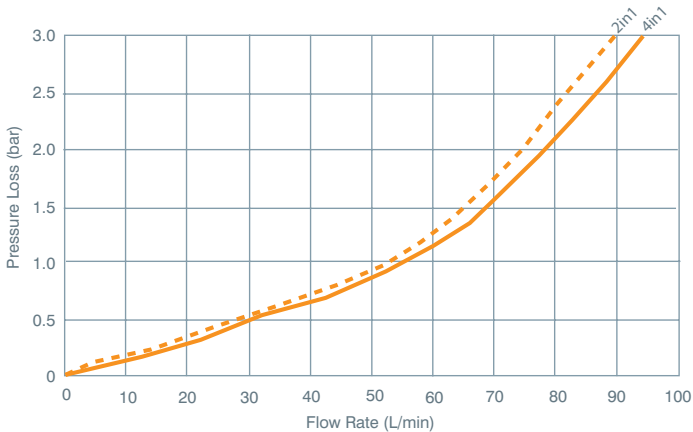
MATERIALS

Body:	Nickel plated DZR brass
Seals:	Viton
Spring:	Stainless steel
Fittings:	DZR brass
Strainers:	Stainless steel

STANDARDS AND APPROVALS

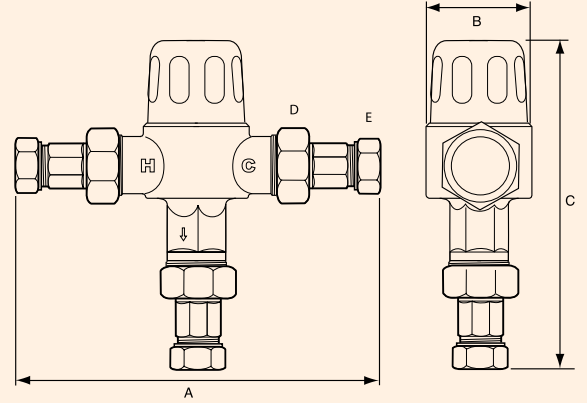
- Complies with BSEN 1111, BSEN 1287
- WRAS Approved
- TMV2 Approved

FLOW RATES

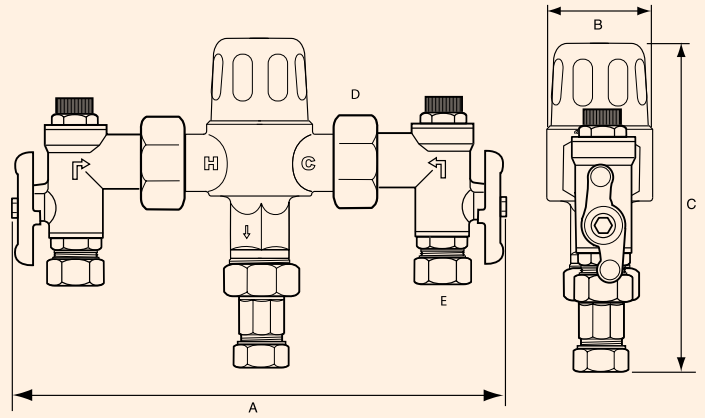


DIMENSIONS

All dimensions in mm unless otherwise stated.



	A	B	C	D	E
HEAT115100	180	57	178	1" BSP	22



	A	B	C	D	E
HEAT115105	245	57	178	1" BSP	22