



## ANTI-LIGATURE SHOWERHEADS

**SENS510115** Cross-wall showerhead  
for wall thickness 1-150mm

**SENS510120** Panel mount showerhead  
for wall thickness 1-50mm

### OVERVIEW

A low profile, smooth shaped anti-ligature showerhead complete with internal 8lpm flow regulator has been designed to prevent attachments to be made with the showerhead, preventing vandalism and providing added safety. The central spray grid can be easily removed and cleaned for maintenance purposes and anti-rotation pins prevent any unauthorised movement.



WATER CONTROLS FOR A MODERN WORLD

**RELIANCE**

TEMPERATURE  
CONTROL

FLOW  
CONTROL

HEATING SYSTEM  
COMPONENTS

WASHROOM  
SYSTEMS

HEATING & COOLING  
DISTRIBUTION SYSTEMS

PLUMBING  
SYSTEMS

# ANTI-LIGATURE SHOWERHEADS

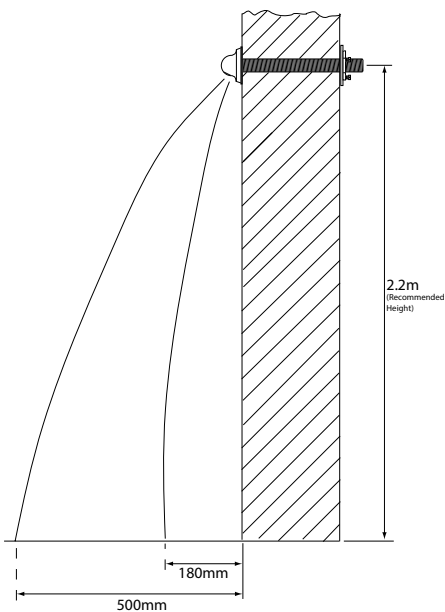
## FEATURES AND BENEFITS

- Very low profile, smooth, anti ligature surfaces prevent any attachments being made: preventing vandalism and providing safety
- The central spray grid can be easily removed and cleaned at maintenance times
- Anti-rotation mechanism prevents any unauthorised movement

## SPECIFICATIONS

Maximum working pressure:	6 bar
Minimum working pressure:	1 bar
Maximum temperature:	80°C
Minimum temperature:	5°C
Flow regulator (in head):	8 lpm
Connection size:	1/2"

## TYPICAL INSTALLATION



## DIMENSIONS

All dimensions in mm unless otherwise stated.

