



## FLOREG® ISOLATING VALVE / STRAINER

SERV970000	15mm Floreg isolating valve/strainer 4 L/min
SERV970001	15mm Floreg isolating valve/strainer 6 L/min
SERV970002	15mm Floreg isolating valve/strainer 8 L/min
SERV970003	15mm Floreg isolating valve/strainer 10 L/min
SERV970004	15mm Floreg isolating valve/strainer 12 L/min
SERV970005	15mm Floreg isolating valve/strainer 15 L/min
SBSERV970000	15mm push-fit Floreg isolating valve/strainer 4 L/min
SBSERV970001	15mm push-fit Floreg isolating valve/strainer 6 L/min
SBSERV970002	15mm push-fit Floreg isolating valve/strainer 8 L/min
SBSERV970003	15mm push-fit Floreg isolating valve/strainer 10 L/min
SBSERV970004	15mm push-fit Floreg isolating valve/strainer 12 L/min
SBSERV970005	15mm push-fit Floreg isolating valve/strainer 15 L/min

### OVERVIEW

A 15mm combination filtration, isolating and flow regulating device for use on individual outlets to maintain the flow rate at a desired level. The valve incorporates a flow regulator fitted downstream of the isolator and filter, for ease of service, which is available with various amounts of flow regulation between 4 and 15 L/min. Supplied nickel plated as standard with a plastic identity cap showing the amount of flow regulation. Option available with SharkBite® push-fit connections.



WATER CONTROLS FOR A MODERN WORLD

**RELIANCE**

TEMPERATURE  
CONTROL

FLOW  
CONTROL

HEATING SYSTEM  
COMPONENTS

WASHROOM  
SYSTEMS

HEATING & COOLING  
DISTRIBUTION SYSTEMS

PLUMBING  
SYSTEMS

# FLOREG® ISOLATING VALVE / STRAINER

## FEATURES AND BENEFITS

- Serviceable without the need to remove the valve from the installation
- Saves water and energy as well as providing isolation for servicing
- Provides even distribution when supplying multiple outlets
- Precise flow control enables designers to size systems accurately
- Can be used for retrofit or new build installations
- Available with flow regulators from 4 to 15 L/min
- The regulators are interchangeable so that alterations in flow rate to suit customer requirements are quick and easy
- Easy installation with 15mm compression connections or even quicker to use push-fit connectors

## SPECIFICATIONS

Maximum pressure:	16.0 bar
Maximum hot water temperature:	85°C
Connections:	15mm compression or push-fit

## MATERIALS

Body:	DZR brass
Cap:	DZR brass
Strainer:	Stainless steel
Ball:	Chrome plated brass
Seat:	PTFE

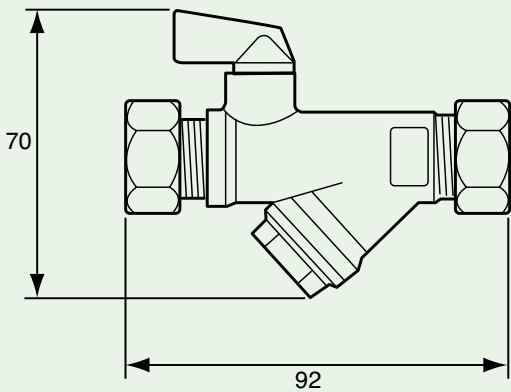
## STANDARDS AND APPROVALS

- WRAS Approved

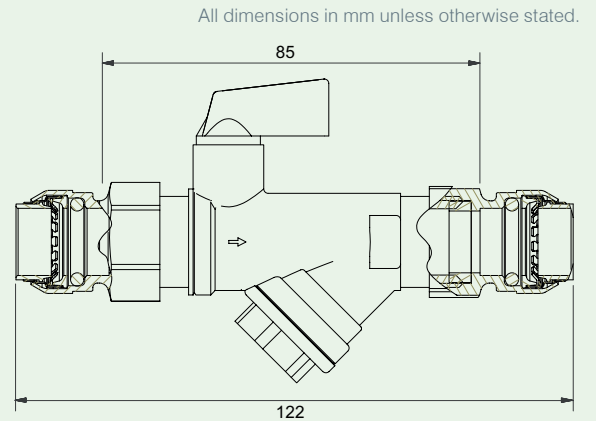
## HOW TO SPECIFY

A 15mm nickel plated combination device incorporating a flow regulator fitted downstream of the isolator and filter, to maintain the flow rates of individual outlets at a desired level. Available with flow regulators between 4 and 15 L/min. (Include correct product range code)

## DIMENSIONS



15mm compression connection models



15mm push-fit connection models