

RPZ Backflow Preventer

A range of high quality, easy to service and maintain, BA type backflow prevention devices, to protect plumbing systems from contamination, back pressure or back siphonage up to fluid category 4.

Overview

The Reliance Valves Backflow Preventer is a unique and patented valve that is ideal for protecting commercial and industrial plumbing systems from contamination up to and including fluid category 4. Compliant with UK water regulations and approved by KIWA, the valve is made from lead-free 4MS compliant DZR brass.

Incorporating a one-piece cartridge, the valve is easy to access which makes servicing and maintenance fast and simple, while minimising downtime. The valve is designed with a detachable upper body to make the cartridge more accessible.

Features and benefits

- BS EN1717 compliant valve that offers the highest level of mechanical protection against backflow and contamination, for use for up to fluid category 4 applications
- Lead-free and non-toxic 4MS compliant DZR brass body
- Easily accessible one-piece cartridge and detachable upper body for fast and simple servicing
- Supplied with test point isolating valves and caps to make testing quick and easy
- Integral cartridge strainer protects the valve from system debris
- Integral tundish with FBSP connections creates an air-gap between the wastewater and the mains water supply
- Flat faced union MBSP connections allow the body to be removed without disruption to the pipe work
- Flat faced unions make servicing and/or replacing the valve quick and easy.
- Lever ball valves also available for up and downstream supply isolation



| Product code | Description | Size |
|--------------|------------------------------|--------|
| RPZV270001 | RPZ Backflow Preventer valve | 1/2" |
| RPZV270005 | RPZ Backflow Preventer valve | 3/4" |
| RPZV270010 | RPZ Backflow Preventer valve | 1" |
| RPZV270015 | RPZ Backflow Preventer valve | 1 1/4" |
| RPZV270020 | RPZ Backflow Preventer valve | 1 1/2" |
| RPZV270025 | RPZ Backflow Preventer valve | 2" |

RPZ Backflow Preventer

Working parameters & specifications

| | |
|-----------------------------|---|
| Maximum working pressure | 10 bar |
| Maximum working temperature | 65°C |
| Mounting position | Horizontal, tundish facing downwards |
| Flow rate | DN15: 2.9 m3h (48LPM) at 1.5 bar Δ p DN20: 5.1 m3h (85LPM) at 1.5 bar Δ p DN25: 7.9 m3h (132LPM) at 1.5 bar Δ p DN32: 13.0 m3h (217LPM) at 1.5 bar Δ p DN40: 20.3 m3h (338LPM) at 1.5 bar Δ p DN50: 31.8 m3h (530LPM) at 1.5 bar Δ p |

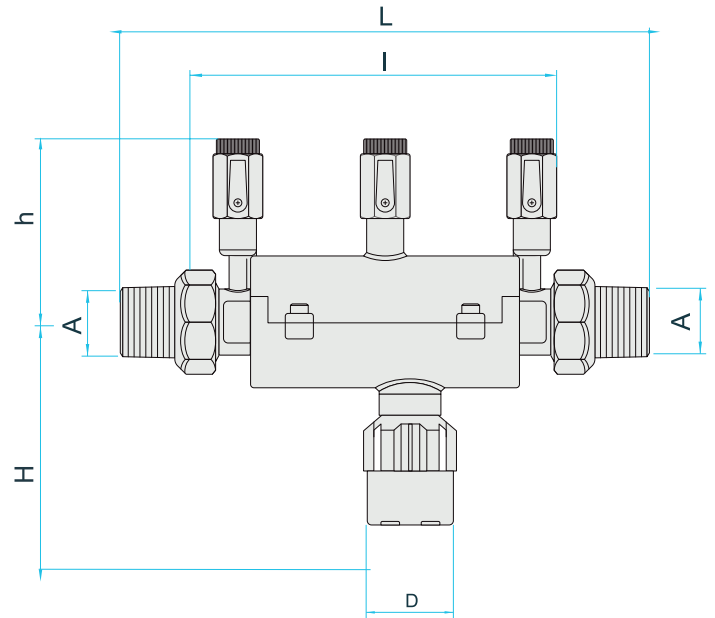
Application

| | |
|-------|---------------|
| Fluid | Potable water |
|-------|---------------|

Materials

| | |
|-------------|---------------------------------|
| Body | Lead-free DZR brass |
| Cartridge | High quality synthetic material |
| Springs | Stainless steel |
| Seals | EPDM |
| Tundish | High grade acetal |
| Test points | DZR brass |

Dimensions – All measurements in mm unless otherwise stated



| Size | DN 15 | DN 20 | DN 25 | DN 32 | DN 40 | DN 50 |
|------|--------|--------|-------|----------|----------|-------|
| A | R 1/2" | R 3/4" | R 1" | R 1 1/4" | R 1 1/2" | R 2" |
| L | 201 | 240 | 248 | 350 | 354 | 375 |
| I | 145 | 178 | 178 | 260 | 260 | 260 |
| H | 95 | 95 | 95 | 115.4 | 115.4 | 115.4 |
| h | 70 | 79 | 79 | 96 | 96 | 96 |
| D | 40 | 40 | 40 | 40 | 40 | 40 |