



PROTECTO YC

LINS400001	15mm Protecto YC
LINS400101	15mm Protecto YC, Nickel Plated
LINS400002	22mm Protecto YC
LINS400006	28mm Protecto YC

OVERVIEW

A range of compact, Class 3, in-line strainers, with hot pressed DZR bodies and compression connections. Filter mesh is dual thickness 60 mesh (0.25mm aperture) stainless steel.



WATER CONTROLS FOR A MODERN WORLD

RELIANCE

TEMPERATURE
CONTROL

FLOW
CONTROL

HEATING SYSTEM
COMPONENTS

WASHROOM
SYSTEMS

HEATING & COOLING
DISTRIBUTION SYSTEMS

PLUMBING
SYSTEMS

PROTECTO YC

FEATURES AND BENEFITS

- For protection of water systems from debris
- Compression connections for simple, low cost installation.
- Compact, DZR brass body.
- Access port to sleeve filter, allows servicing without replacing.
- O-ring seal on access port for ease of service.
- Dual thickness gauze for improved resistance to damage.
- Stainless steel 60 mesh filter.

SPECIFICATIONS

Max. Working Pressure 16 Bar
 Max. Temperature: 110°C
 Mesh: 0 (0.25mm aperture)

STANDARDS AND APPROVALS

- WRAS approved

MATERIALS

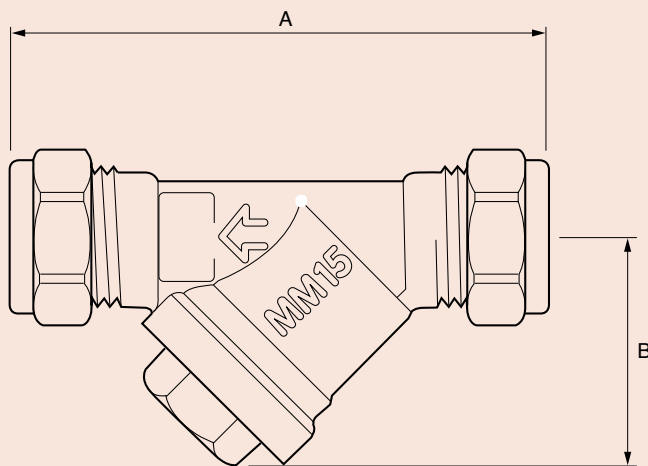
Body: DZR Brass
 Cap: DZR Brass
 Strainer Mesh: Stainless Steel

HOW TO SPECIFY

A 'Y' strainer with compression connections and a double reinforced thickness 60 micron mesh. The filter cap to incorporate an o-ring seal. (Include correct product range code)

DIMENSIONS

All dimensions in mm unless otherwise stated.



Product Code	A	B	Mesh Size
LINS400001	79	35	60 microns
LINS400101	79	35	60 microns
LINS400002	100	45	60 microns
LINS400006	119.6	50.2	60 microns