



AUTOMATIC AIR VENT

- AVEN100001** $\frac{3}{8}$ " Automatic air vent
- AVEN100005** $\frac{1}{2}$ " Automatic air vent
- AVEN100003** 15mm Compression automatic air vent

OVERVIEW

High quality automatic air vents for use in heating systems to vent air when commissioning a system. The device is available with $\frac{3}{8}$ ", $\frac{1}{2}$ " MBSP or 15mm compression connection.

The device consists of a polypropylene float connected to a simple valve. When the build-up of air within the float chamber exceeds a certain level the float drops, opening the valve and releasing the air trapped within the chamber. As the air is released, water replaces it, and moves the float back into the up position, which closes the valve.



AUTOMATIC AIR VENT

FEATURES AND BENEFITS

- Automatically vents trapped air from within a sealed heating system
- Saves time and cost when commissioning new heating systems
- Solid brass construction and heat resistant polypropylene float give long life and dependability
- Available in 3/8", 1/2" and 15mm connections
- Reduces call backs to rectify air locks, saving time and money

SPECIFICATIONS

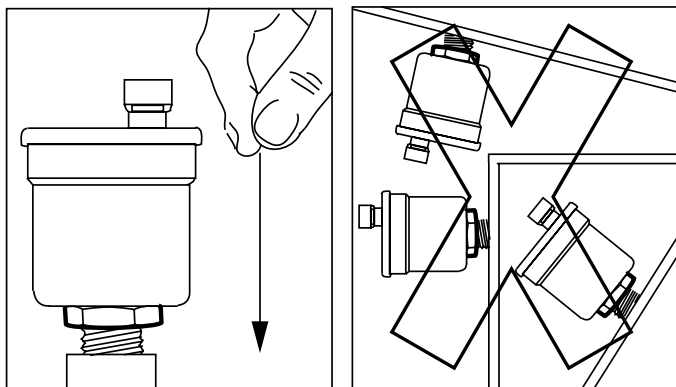
Maximum working pressure: 10.0 bar
 Maximum working temperature: 110°C

MATERIALS

Body: Standard brass
 Cap: Standard brass
 Float: Heat resistant polypropylene

INSTALLATION

The air vent should be installed in a vertical position as its operation is based on the vertical movement of the float.



HOW TO SPECIFY

A solid brass automatic air vent for use in sealed heating systems, available in 3/8", 1/2" MBSP or 15mm compression connection formats. (Include correct product range code).

DIMENSIONS

All dimensions in mm unless otherwise stated.

