

# 315i Commercial Pressure Reducing Valve

A range of commercial pressure reducing valves, incorporating a unique indicator so the set pressure can be identified easily without the need for a pressure gauge.

Product code	Size	Description
PRED315010	½" MBSP union	315i PRV
PRED315020	¾" MBSP union	315i PRV
PRED315030	1" MBSP union	315i PRV
PRED315040	1¼" MBSP union	315i PRV
PRED315050	1½" MBSP union	315i PRV
PRED315060	2" MBSP union	315i PRV
PRED315070	Capillary union	315i PRV
PRED315080	Capillary 22mm union	315i PRV
PRED315090	Capillary 28mm union	315i PRV
PRED315100	28mm Compression	315i PRV (Locked)
PRED315110	28mm Compression	315i PRV

## How to specify

The Pressure Reducing Valve (PRV) must have WRAS approval for hot & cold water up to 70 degrees Celsius and comply with BSEN 1567. The PRV must be rated to 25 bar inlet pressure. Outlet pressures should be adjustable between 1 – 6 bar and have a lockable adjustment knob. The PRV should have a one piece cartridge containing all functional components with an integral serviceable strainer and a rotatable sleeve with a set pressure indicator. The PRV should be supplied with two downstream test points with brass plugs.

PRED315070



PRED315110



PRED315030



# 315i Commercial Pressure Reducing Valve

## Features and benefits

- Easy to read pressure indicator
- Robust design & can be installed in any orientation
- 'Drop tight' valve: controls the pressure under both flow and no-flow conditions
- One-piece, easy to replace cartridge containing all parts
- Fully serviceable integral strainer
- Suitable for hot and cold supplies

## Specifications

Maximum working pressure	25.0 bar
Adjustable set pressure (excluding PRED315100)	1.0-6.0 bar
PRED315100 locked set pressure	3.5 bar
Pressure reduction ratio	10:1
Maximum working temperature	70°C

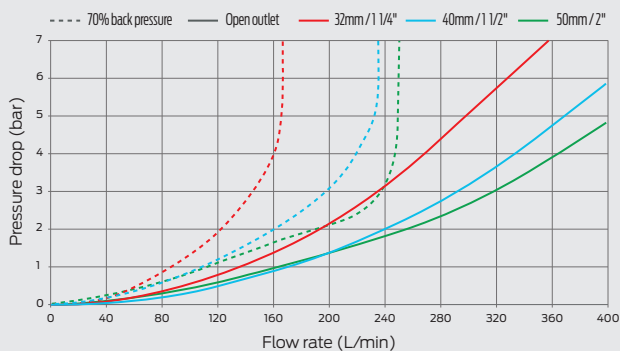
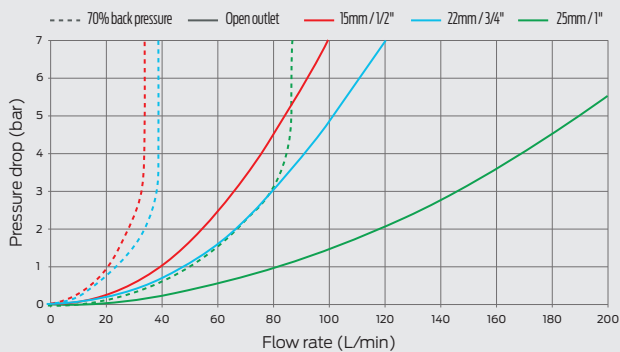
## Materials

Body & integral parts	DZR brass
Seals	EPDM
Spring	Zinc plated spring steel
Strainer	Stainless steel
Diaphragm	EPDM
Cover	ABS

## Standards and approvals

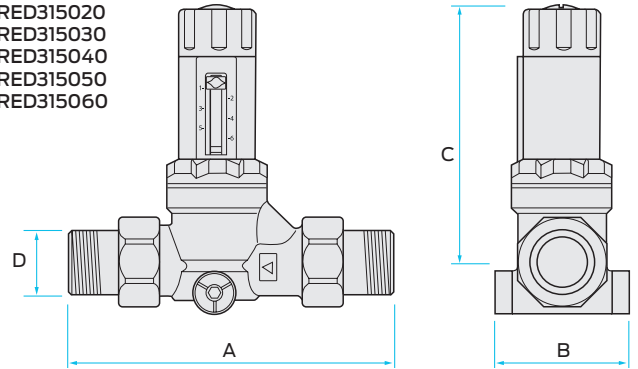
BSEN 1567  
WRAS Approved

## Flow rates

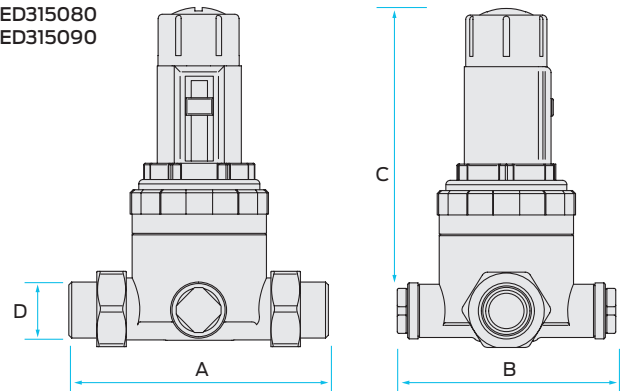


## Dimensions – All measurements in mm unless otherwise stated

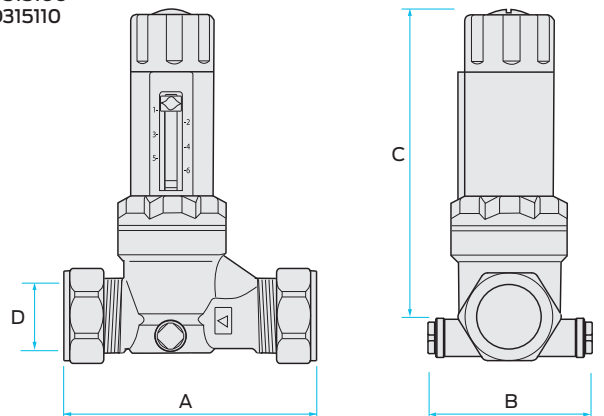
PRED315010  
PRED315020  
PRED315030  
PRED315040  
PRED315050  
PRED315060



PRED315070  
PRED315080  
PRED315090



PRED315100  
PRED315110



	PRED315070	PRED315080	PRED315090	PRED315100	PRED315110
A (mm)	104	124	124	117	117
B (mm)	74	74	84	86	86
C (mm)	103	103	132	130	130
D (mm)	15	22	28	28	28

	PRED315010	PRED315020	PRED315030	PRED315040	PRED315050	PRED315060
A (mm)	130	138	170	191	220	255
B (mm)	74	74	84	94	94	94
C (mm)	103	103	132	194	194	187
D	1/2" MBSP	3/4" MBSP	1" MBSP	1 1/4" MBSP	1 1/2" MBSP	2" MBSP