



## EASISSET® 320 PRESSURE REDUCING VALVE

Cold water up to 45°C

PRED320001	1/2" FBSP
PRED320005	3/4" FBSP
PRED320003	1/2" MBSP union
PRED320011	3/4" MBSP union
PRED320010	15mm compression
PRED320015	22mm compression
SBPRED320001	15mm push-fit
SBPRED320005	22mm push-fit

Hot water up to 80°C

PRED320050	1/2" FBSP
PRED320055	3/4" FBSP
PRED320051	1/2" MBSP union
PRED320056	3/4" MBSP union
PRED320060	15mm compression
PRED320065	22mm compression
SBPRED320050	15mm push-fit
SBPRED320055	22mm push-fit

### OVERVIEW

A high quality pressure reducing valve incorporating a unique easy-to-use 'lift and turn' adjustment mechanism. All working components are contained in cartridge form. Available with SharkBite metal push-fit connections for even quicker installation.



WATER CONTROLS FOR A MODERN WORLD

# RELIANCE

TEMPERATURE  
CONTROL

FLOW  
CONTROL

HEATING SYSTEM  
COMPONENTS

WASHROOM  
SYSTEMS

HEATING & COOLING  
DISTRIBUTION SYSTEMS

PLUMBING  
SYSTEMS

# EASISSET 320 PRESSURE REDUCING VALVE

## FEATURES AND BENEFITS

- High flow rate design
- ‘Lift and Turn’ mechanism for ease of pressure adjustment
- One-piece Easiset cartridge
- Fully serviceable strainer
- Can be installed in any orientation
- MBSP connection complete with union fitting for ease of servicing
- Drop tight valve, controls the pressure under both flow and no flow conditions
- Single gauge port on the base of valve

## SPECIFICATIONS

Maximum working pressure:	16.0 bar
Adjustable set pressure:	1.5-5.5 bar
Pressure reduction ratio:	10:1
<b>Maximum working temperatures:</b>	
Cold water version:	45°C
Hot water version:	80°C

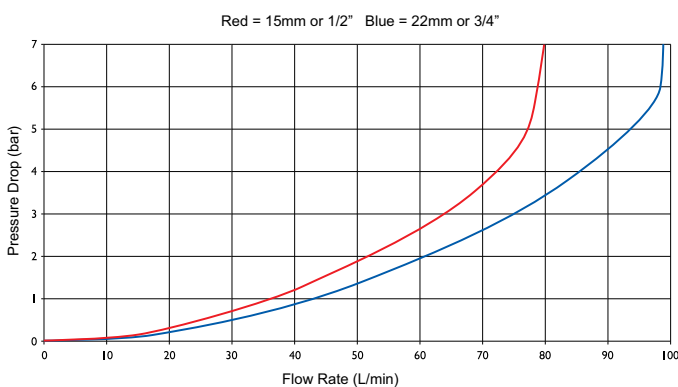
## MATERIALS

Body:	DZR brass
Internal components:	DZR brass
Seals:	EPDM and NBR
Spring:	Zinc plated spring steel
Strainer:	Stainless steel
Diaphragm:	EPDM
Cover:	Glass filled nylon polymer

## STANDARDS AND APPROVALS

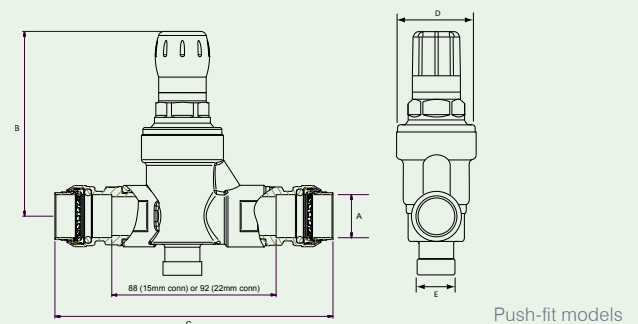
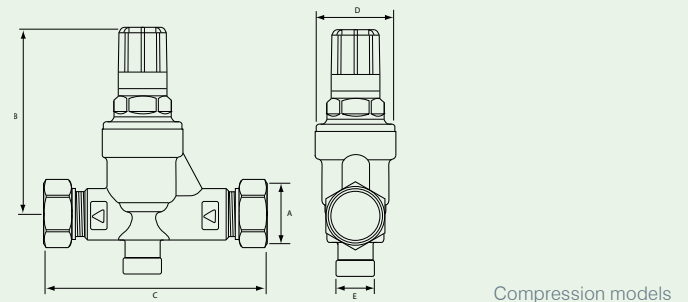
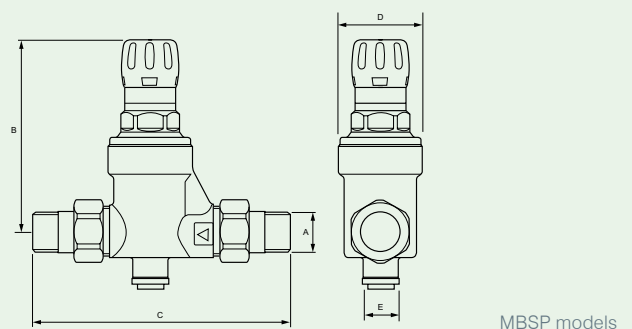
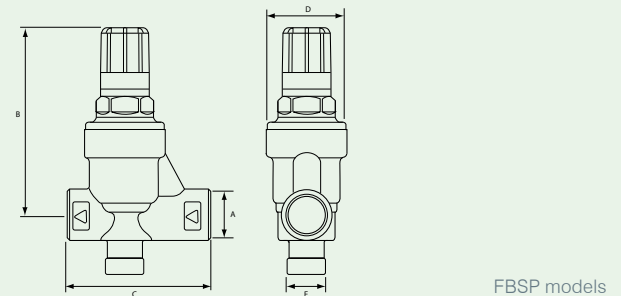
- WRAS Approved
- DVGW
- BSEN 1567

## FLOW RATES



## DIMENSIONS

All measurements in mm unless otherwise stated



Product Code	A	B	C	D	E
PRED320001 / PRED320050	1/2" FBSP	97	72	42	1/2" FBSP
PRED320005 / PRED320055	3/4" FBSP	97	74	42	1/2" FBSP
PRED320003 / PRED320051	1/2" MBSP union	97	130	42	1/2" FBSP
PRED320011 / PRED320056	3/4" MBSP union	97	142	42	1/2" FBSP
PRED320010 / PRED320060	15mm comp	97	86	42	1/2" FBSP
PRED320015 / PRED320065	22mm comp	97	88	42	1/2" FBSP
SBPRED320001 / SBPRED320050	15mm push-fit	97	131	42	1/2" FBSP
SBPRED320005 / SBPRED320055	22mm push-fit	97	143	42	1/2" FBSP