



107 SERIES POTABLE WATER PRESSURE RELIEF VALVES

- PREL107010** 1/2" M x FBSP Pressure relief valve pre-set 6.0 bar
- PREL107015** 1/2" F x FBSP Pressure relief valve pre-set 6.0 bar
- PREL107020** 1/2" MBSP x 15mm Pressure relief valve pre-set 3.5 bar
- PREL107025** 1/2" MBSP x 15mm Pressure relief valve pre-set 5.0 bar

OVERVIEW

A compact range of pressure relief valves, with FBSP and 15mm outlets, to protect against overpressurisation in potable water systems. The valve is pre-set and locked to 3.5, 5.0 or 6.0 bar. Therefore if the system exceeds the set pressure the valve will lift off the seat and water will discharge from the valve to waste.



WATER CONTROLS FOR A MODERN WORLD

RELIANCE

TEMPERATURE CONTROL

FLOW CONTROL

HEATING SYSTEM COMPONENTS

WASHROOM SYSTEMS

HEATING & COOLING DISTRIBUTION SYSTEMS

PLUMBING SYSTEMS

107 SERIES POTABLE WATER PRESSURE RELIEF VALVES

FEATURES AND BENEFITS

- Diaphragm design gives improved resistance against scale
- Pre-set relief pressure range from 3.5-6.0 bar
- Protects against over-pressurisation
- Rapid removal of single piece cartridge for cleaning or replacement
- Allows a high capacity discharge
- Multiple connection options for flexible installation

SPECIFICATIONS

Maximum temperature:	110°C
Pre-set pressure:	3.5, 5.0 or 6.0 bar
Pressure tolerance:	+/- 0.5 bar
Fluid:	Water or compressed air

MATERIALS

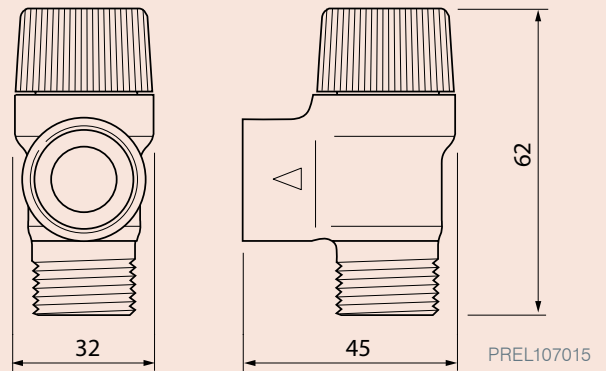
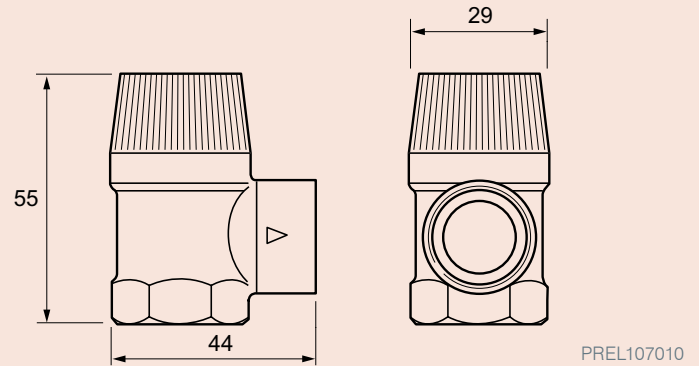
Body:	DZR brass
Diaphragm:	EPDM
Spring:	UNI 3823
Spindle control:	Acetal
Screw breech block:	Acetal
Handle & plate:	PA

STANDARDS AND APPROVALS

- WRAS Approved
- BS EN 1491

DIMENSIONS

All dimensions in mm unless otherwise stated.



PREL107010

PREL107015

PREL107020

PREL107025