



104 SERIES HIGH CAPACITY POTABLE WATER PRESSURE RELIEF VALVES

PREL104040	1/2" x 3/4" F x FBSP 3.5 bar
PREL104041	1/2" x 3/4" F x FBSP 5.0 bar
PREL104008	1/2" x 3/4" F x FBSP 6.0 bar
PREL104006	1/2" x 3/4" F x FBSP 8.0 bar
PREL104042	3/4" x 1" F x FBSP 3.5 bar
PREL104014	3/4" x 1" F x FBSP 5.0 bar
PREL104010	3/4" x 1" F x FBSP 6.0 bar
PREL104016	3/4" x 1" F x FBSP 8.0 bar
PREL104043	1" x 1 1/4" F x FBSP 3.5 bar
PREL104001	1" x 1 1/4" F x FBSP 5.0 bar
PREL104002	1" x 1 1/4" F x FBSP 6.0 bar
PREL104017	1" x 1 1/4" F x FBSP 8.0 bar
PREL104044	1 1/4" x 1 1/2" F x FBSP 3.5 bar
PREL104045	1 1/4" x 1 1/2" F x FBSP 5.0 bar
PREL104005	1 1/4" x 1 1/2" F x FBSP 6.0 bar
PREL104013	1 1/4" x 1 1/2" F x FBSP 8.0 bar
PREL104046	1 1/2" x 2" F x FBSP 3.5 bar
PREL104047	1 1/2" x 2" F x FBSP 5.0 bar
PREL104012	1 1/2" x 2" F x FBSP 6.0 bar
PREL104020	1 1/2" x 2" F x FBSP 8.0 bar
PREL104048	2" x 2 1/4" F x FBSP 3.5 bar
PREL104049	2" x 2 1/2" F x FBSP 5.0 bar
PREL104015	2" x 2 1/2" F x FBSP 6.0 bar
PREL104023	2" x 2 1/2" F x FBSP 8.0 bar

OVERVIEW

High capacity range of pressure relief valves, designed to protect an unvented system from overpressurisation. The valves are pre-set and locked to a particular pressure, so if the system exceeds this pressure the valve will lift off the seat and water will discharge from the valve to waste. The outlet connection is one size larger than the inlet to guarantee the valve will be able to cope with a high capacity discharge. This is the first safety device in line within an unvented system. These valves are available in many different pressures ranging from 3.5-8.0 bar and in multiple connection sizes to allow for a flexible installation.



WATER CONTROLS FOR A MODERN WORLD

RELIANCE

TEMPERATURE CONTROL

FLOW CONTROL

HEATING SYSTEM COMPONENTS

WASHROOM SYSTEMS

HEATING & COOLING DISTRIBUTION SYSTEMS

PLUMBING SYSTEMS

104 SERIES HIGH CAPACITY POTABLE WATER PRESSURE RELIEF VALVES

FEATURES AND BENEFITS

- Rapid removal of single piece cartridge for cleaning or replacement
- Diaphragm design gives improved resistance against scale
- Protects against overpressurisation
- Multiple connections for flexible installation
- Set relief pressure range from 3.5-8.0 bar

SPECIFICATIONS

Body test pressure:	20.0 bar
Maximum temperature:	110°C
Pre-set pressure range:	3.5-8.0 bar

MATERIALS

Body 1/2", 3/4" & 1":	DZR Brass
Body 1 1/4":	Brass CZ121 nickel plated
Body 1 1/2" & 2":	Gunmetal
Diaphragm:	EPDM
Seal:	EPDM
Spring:	Stainless steel
Cap:	High grade glass fibre reinforced plastic

STANDARDS AND APPROVALS

- WRAS Approved
- BS EN 1491

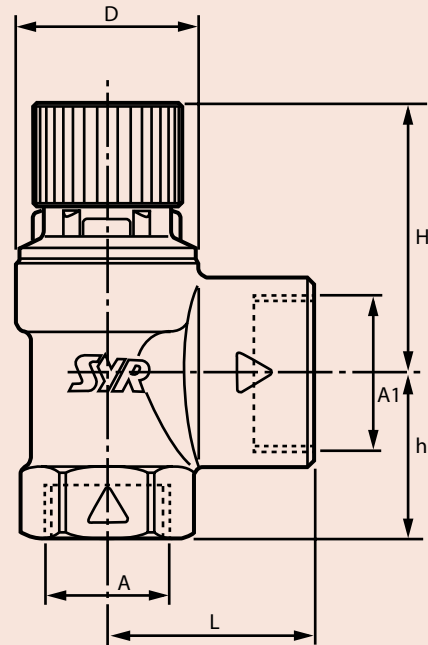
SPARES AND ACCESSORIES

ZRC214031:	3.5 bar Replacement relief valve cartridge
ZRC214048:	5.0 bar Replacement relief valve cartridge
ZRC214004:	6.0 bar Replacement relief valve cartridge
ZRC214009:	8.0 bar Replacement relief valve cartridge

All have blue caps and are suitable for 1/2" and 3/4" valves

DIMENSIONS

All dimensions in mm unless otherwise stated.



A	A1	H	h	L	D
1/2"	3/4"	46	28	35	31
3/4"	1"	48	34	38	31
1"	1 1/4"	79	40	47	49
1 1/4"	1 1/2"	110	46	53	51
1 1/2"	2"	136	55	70	75
2"	2 1/2"	195	66	75	75

DISCHARGE RATING

Pressure Setting (bar)	Discharge Rating (m³/h)					
	1/2"	3/4"	1"	1 1/4"	1 1/2"	2"
4	2.8	3.0	9.5	14.3	19.2	27.7
4.5	3.0	3.2	10.1	15.1	20.4	29.3
5	3.1	3.4	10.6	16.1	21.5	30.9
5.5	3.3	3.6	11.1	16.1	22.5	32.4
6	3.4	3.7	11.6	17.5	41.2	50.9
7	3.7	4.0	12.6	18.9	44.5	54.9
8	4.0	4.3	13.4	20.2	47.6	58.7
9	4.2	4.6	14.3	21.4	50.5	62.3
10	4.4	4.8	15.0	22.6	53.2	65.7
Inlet Size	1/2"	3/4"	1"	1 1/4"	1 1/2"	2"