



## 101 SERIES SEALED HEATING SYSTEM PRESSURE RELIEF VALVES

PREL101001	1/2" FxFBSP 2.0 bar
PREL101002	1/2" FxFBSP 2.5 bar
PREL101003	1/2" FxFBSP 3.0 bar
PREL101015	1/2" MxFBSP 2.0 bar
PREL101024	1/2" MxFBSP 2.5 bar
PREL101016	1/2" MxFBSP 3.0 bar
PREL101011	3/4" FxFBSP 2.0 bar
PREL101012	3/4" FxFBSP 2.5 bar
PREL101013	3/4" FxFBSP 3.0 bar
PREL101014	3/4" MxFBSP 2.0 bar
PREL101027	3/4" MxFBSP 2.5 bar
PREL101023	3/4" MxFBSP 3.0 bar

### OVERVIEW

A pressure relief valve to protect closed-circuit water heating systems from overpressure, made from hot pressed brass. It has a high grade glass fibre reinforced plastic cap. Available in 1/2" or 3/4" connections, it also has a set pressure relief range from 2.0 bar to 3.0 bar with the response pressure indicated on the cap cover.



WATER CONTROLS FOR A MODERN WORLD

**RELIANCE**

TEMPERATURE CONTROL

FLOW CONTROL

HEATING SYSTEM COMPONENTS

WASHROOM SYSTEMS

HEATING & COOLING DISTRIBUTION SYSTEMS

PLUMBING SYSTEMS

# 101 SERIES SEALED HEATING SYSTEM PRESSURE RELIEF VALVES

## FEATURES AND BENEFITS

- Diaphragm design gives improved resistance to scaling and extends the valve's life span
- Removal of single piece cartridge allows access to seat for cleaning or cartridge replacement
- Set relief pressure range from 2.0 bar to 3.0 bar gives flexibility of system design
- Available with FBSP/FBSP or MBSP/FBSP connections for complete installation flexibility

## MATERIALS

Body:	Hot pressed DZR brass
Diaphragm:	EPDM elastomer
Seal:	EPDM elastomer
Spring:	Spring steel wire - corrosion protected
Internals:	OT58 brass
Cap:	High grade glass fibre reinforced plastic

## SPECIFICATIONS

Set relief pressure range:	2.0 bar to 3.0 bar
Operating temperature:	140°C max
Test pressure of body:	25.0 bar

## SPARES AND ACCESSORIES

ZRC209020:	2.0 bar Replacement pressure relief cartridge
ZRC209021:	2.5 bar Replacement pressure relief cartridge
ZRC214043:	3.0 bar Replacement pressure relief cartridge

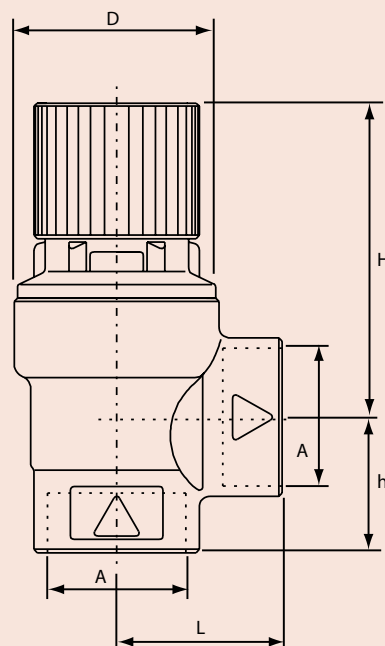
All with red cap, and suitable for both 1/2" and 3/4" valves

## HOW TO SPECIFY

Pressure relief valve of one piece replaceable cartridge design, suitable for protection from over-pressurisation in heating systems. Incorporates a twist-top mechanism for optional manual operation, and an indicated outlet pressure. (Include correct product range code).

## DIMENSIONS

All dimensions in mm unless otherwise stated.



	A	L	D	H	h
1/2" Models	1/2"	25	31	49	20.5
3/4" Models	3/4"	29	31	52	26.5

## DISCHARGE RATING

Pressure Setting (bar)	Discharge Rating (m <sup>3</sup> /h)	
	1/2"	3/4"
Inlet Size	1/2"	3/4"
2.0	3.0	3.2
2.5	3.1	3.4
3.0	3.3	3.6
1.5	2.8	3.0