



SHARKBITE® 90° FEMALE ELBOW

SB121515F 90° Female Elbow, 15mm x 1/2" BSP, Pack Quantity: 5

OVERVIEW

The SharkBite range of slimline metal push-fit plumbing fittings provide a fast, secure and heat-free pipework connection which is suitable for all domestic and commercial applications. The fittings are compatible with all types of commonly used metal and plastic pipe: copper, PEX, carbon steel and polybutylene. They can be easily disconnected and are immediately re-usable. This selection of elbows connects pipe at a 90 degree angle, with one SharkBite pushfit connection and a female threaded end.



WATER CONTROLS FOR A MODERN WORLD

RELIANCE

TEMPERATURE
CONTROL

FLOW
CONTROL

HEATING SYSTEM
COMPONENTS

WASHROOM
SYSTEMS

HEATING & COOLING
DISTRIBUTION SYSTEMS

PLUMBING
SYSTEMS

SHARKBITE® 90° FEMALE ELBOW

WORKING PRESSURES AND TEMPERATURES

Size	Pipe	Pressure/Temperature			
		15mm	PEX or PB	12 Bar / -20°C	12 Bar / 20°C
	Copper/Carbon Steel	20 Bar / -24°C	20 Bar / 30°C	16 Bar / 65°C	10 Bar / 120°C

FEATURES AND BENEFITS

- Quick and easy to install in both wet or dry conditions
- Heat/flux free installation, ideal for use where flame jointing is not permitted
- No expensive tools required
- Quick and easy to demount
- Instantly reusable
- Versatile: same fitting can connect all types of commonly used metal and plastic pipe, in any combination
- Slim, compact design and fully rotatable: ideal for use in confined spaces or on exposed pipework
- Electrically continuous (when used with copper or carbon steel pipe)

STANDARDS AND APPROVALS

- WRAS Approved

PIPE COMPATABILITY

COPPER: Copper pipe manufactured in accordance with BS EN 1057 in sizes 10mm to 54mm. If 10mm annealed Copper pipe is being used, it must be re-calibrated in accordance with Table 4 R250 tolerances in the above standard and a Copper liner installed into the pipe prior to assembly.

PEX: SharkBite cross linked Polyethylene (PEX) manufactured to BS 7291: Part 3 in sizes 10mm to 54mm utilising the specific manufacturer's pipe liner.

POLYBUTYLENE: Polybutylene (PB) manufactured to BS 7291: Part 2 when utilising the specific manufacturer's liner.

CARBON PIPE: Carbon Steel pipe manufactured to EN 10305-2

ELECTRICAL CONTINUITY: SharkBite fittings are TRaC certified to provide electrical continuity when used with Copper or Carbon Steel pipe with the exception of 10mm fittings.

MATERIALS

- Body: DZR Brass
- O Ring: Ethylene Polypropylene Diene Monomer (EPDM)
- 15mm Cartridge: 304 Stainless Steel
- Grab Ring: 316 Stainless Steel
- Disconnecting Ring: Acetal Copolymer
- Alignment Ring: Nylon 6

GUARANTEE

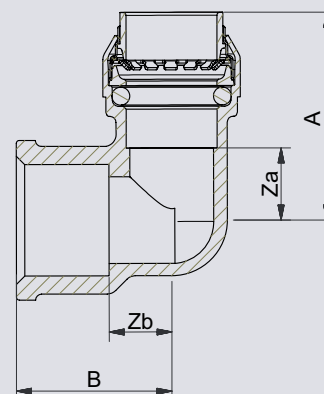
As a result of the rigorous manufacturing and quality controls and also internal long term test results, all SharkBite fittings are guaranteed against defects in materials or manufacturing for a period of 25 years from the date of purchase.

ACCESSORIES

- SB2915: 15mm Depth Marker/Disconnecting Clip
- SB2910-28: 10mm–28mm Depth Marker/ Disconnecting Clip Set
- SB3015: 15mm Disconnecting Tongs

DIMENSIONS

All dimensions in mm unless otherwise stated.



Size	Code	A	Za	B	Zb
15mm x 1/2" BSP	SB121515F	36mm	12mm	26mm	10mm