



NICKEL PLATED LEVER BALL VALVES FOR WATER (COMPRESSION)

BVAL400060 PN25 - blue handle 15mm
 BVAL400070 PN25 - blue handle 22mm
 BVAL400080 PN25 - blue handle 28mm
 BVAL400090 PN25 - blue handle 35mm
 BVAL400100 PN25 - blue handle 42mm
 BVAL400110 PN25 - blue handle 54mm

BVAL400061 PN25 - red handle 15mm
 BVAL400071 PN25 - red handle 22mm
 BVAL400081 PN25 - red handle 28mm
 BVAL400091 PN25 - red handle 35mm
 BVAL400101 PN25 - red handle 42mm
 BVAL400111 PN25 - red handle 54mm



OVERVIEW

A complete range of full bore, isolating ball valves from 15-54mm rated to PN25. Easy to use lever handle with clear colouring to designate for hot or cold water.



WATER CONTROLS FOR A MODERN WORLD

RELIANCE

TEMPERATURE CONTROL

FLOW CONTROL

HEATING SYSTEM COMPONENTS

WASHROOM SYSTEMS

HEATING & COOLING DISTRIBUTION SYSTEMS

PLUMBING SYSTEMS

NICKEL PLATED LEVER BALL VALVES FOR WATER (COMPRESSION)

FEATURES AND BENEFITS

- Range of full bore ball valves
- Nickel plated
- PN25 compression
- Easy to use lever handle with clear colouring to designate usage for hot or cold water, in accordance with EN331
- Not suitable for chilled water

MATERIALS

Body:	Nickel plated brass
Ball:	Chrome plated brass
Stem:	Brass
Seals:	EPDM
Lever:	Zinc plated steel/PVC sleeve
Seats:	PTFE

SPECIFICATIONS

Pressure rating: 25.0 bar
 Temperature: Max. 85°C*

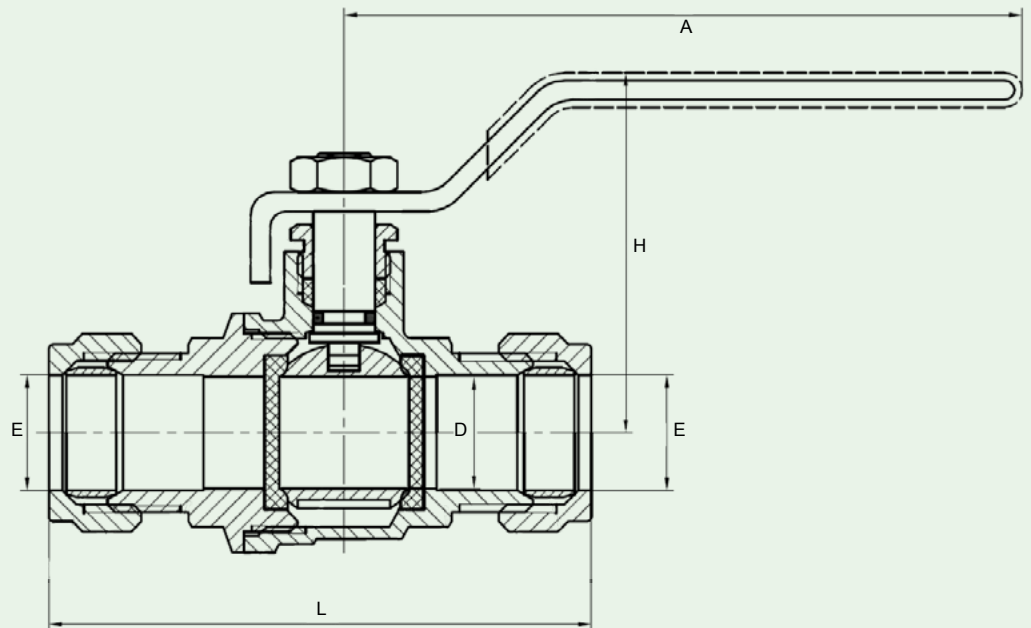
*This product is not suitable for use in chilled water applications due to the risk of stress corrosion cracking (SCC).

STANDARDS AND APPROVALS

- WRAS Approved

DIMENSIONS

All dimensions in mm unless otherwise stated.



Size	A	D	E	L	H
15mm	88	14.5	15	70.5	47
22mm	100	19	22	82	52
28mm	125	24.5	28	91	65
35mm	142	31.5	35	108	78
42mm	142	40	42	123	88
54mm	165	50	54	144	96