



AUTOMATIC ANTI-VACUUM VALVES

ADMT503001	1/2" MBSP Automatic anti-vacuum valve
ADMT503010	3/4" MBSP Automatic anti-vacuum valve
ADMT503004	15mm Automatic anti-vacuum valve
ADMT503005	22mm Automatic anti-vacuum valve

OVERVIEW

A compact range of anti-vacuum valves for use with hot water heaters to prevent a vacuum forming in installations where there is the potential for the draw-off rate to exceed the rate of flow to the inlet; this can occur in properties with multiple outlets below the base of the hot water heater. The valves contain a check cartridge which, under normal conditions, is held closed by the system pressure, but when a vacuum condition arises the suction will cause the check cartridge to open and air to flow through, equalising the pressure within the hot water heater.



WATER CONTROLS FOR A MODERN WORLD

RELIANCE

TEMPERATURE
CONTROL

FLOW
CONTROL

HEATING SYSTEM
COMPONENTS

WASHROOM
SYSTEMS

HEATING & COOLING
DISTRIBUTION SYSTEMS

PLUMBING
SYSTEMS

AUTOMATIC ANTI-VACUUM VALVES

FEATURES AND BENEFITS

- Automatic protection against a vacuum forming in hot water installation
- Solid brass body for long life
- Easy access to the internals from the top of the valve
- Quick and simple to service

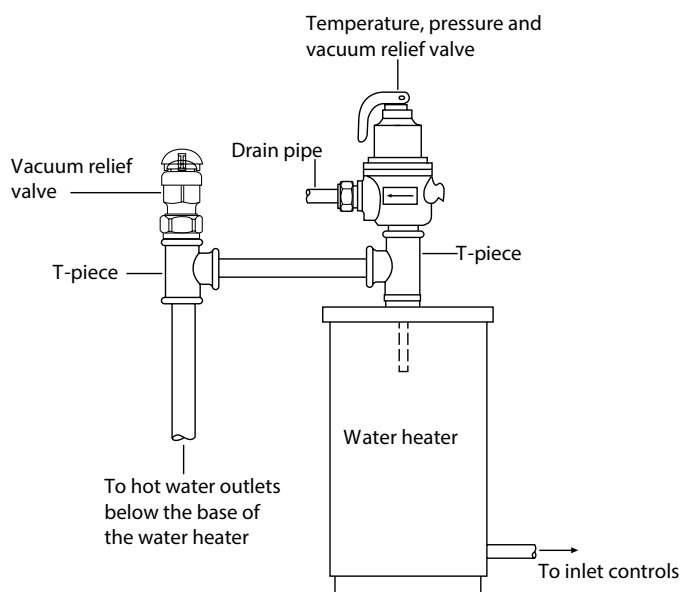
SPECIFICATIONS

Maximum working pressure:	16.0 bar
Maximum temperature:	
ADMT503001:	99°C
ADMT503010, 004, 005:	60°C
Opening pressure:	0.05 bar

STANDARDS AND APPROVALS

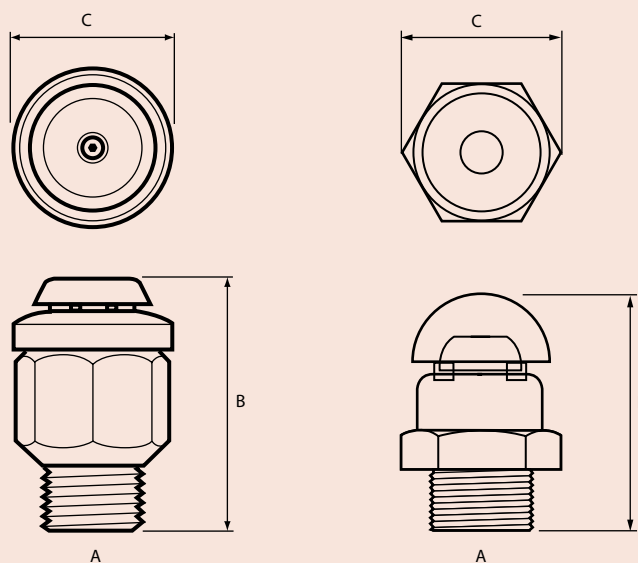
- WRAS Approved

TYPICAL INSTALLATION



DIMENSIONS

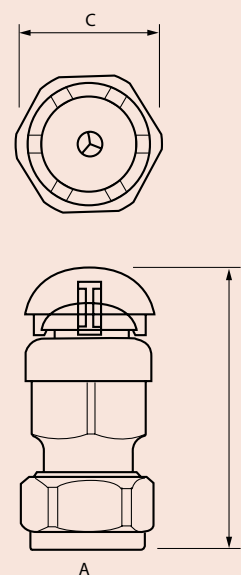
All dimensions in mm unless otherwise stated.



ADMT503001

ADMT503010

Product Code	A	B	C
ADMT503001	1/2" MBSP	49	32
ADMT503010	3/4" MBSP	45	34



Product Code	A	B	C
ADMT503004	15mm	46	28
ADMT503005	22mm	49	36