



312 COMPACT PRESSURE REDUCING VALVE

Cold water up to 45°C

PRED312020	1/2" FBSP
PRED312025	3/4" FBSP
PRED312001	1/2" MBSP union
PRED312005	3/4" MBSP union
PRED312010	15mm compression
PRED312015	22mm compression

Hot water up to 80°C

PRED312070	1/2" FBSP
PRED312075	3/4" FBSP
PRED312050	1/2" MBSP union
PRED312055	3/4" MBSP union
PRED312060	15mm compression
PRED312065	22mm compression

OVERVIEW

Range of domestic pressure reducing valves, compact in design and adjustable between 1.5 - 6.0 bar. All working components are contained in cartridge form with two downstream test points, one either side.



WATER CONTROLS FOR A MODERN WORLD

RELIANCE

TEMPERATURE CONTROL

FLOW CONTROL

HEATING SYSTEM COMPONENTS

WASHROOM SYSTEMS

HEATING & COOLING DISTRIBUTION SYSTEMS

PLUMBING SYSTEMS

312 COMPACT PRESSURE REDUCING VALVE

FEATURES AND BENEFITS

- Drop tight valve: controls the pressure under both flow and no-flow conditions
- One-piece, easy to replace cartridge contains all working parts
- Fully serviceable integral strainer to protect the seat of the valve
- Installation flexibility: can be installed in any orientation and is available in both hot and cold versions
- Gauge ports located on either side of the base of valve

SPECIFICATIONS

Maximum working pressure: 16.0 bar
 Adjustable set pressure: 1.5-6.0 bar
 Pressure reduction ratio: 10:1

Maximum working temperatures

Cold water version: 45°C
 Hot water version: 80°C

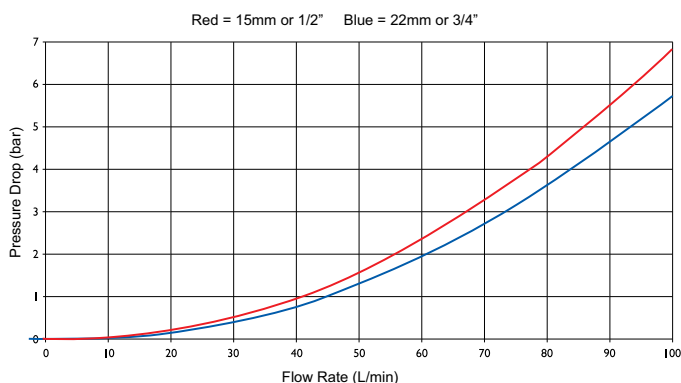
MATERIALS

Body: DZR brass
 Internal components: DZR brass
 Seals: EPDM
 Spring: Zinc plated spring steel
 Strainer: Stainless steel
 Diaphragm: EPDM
 Cover: Glass filled nylon polymer

STANDARDS AND APPROVALS

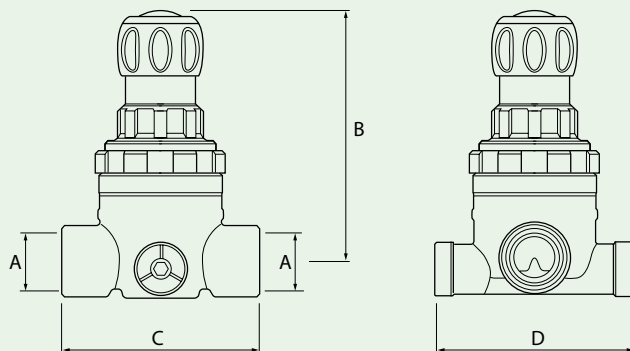
- WRAS Approved
- DVGW
- BSEN 1567

FLOW RATES

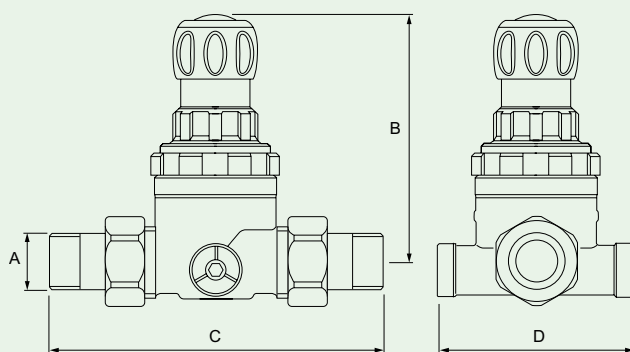


DIMENSIONS

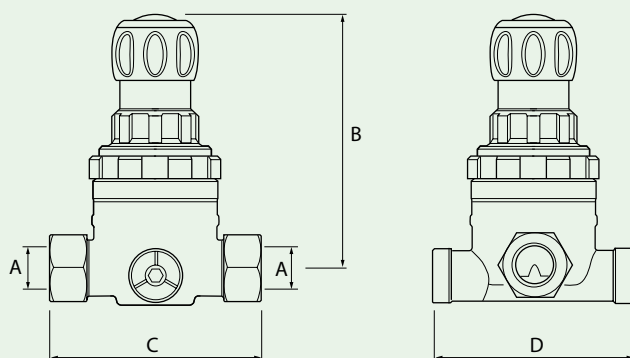
All measurements in mm unless otherwise stated



FBSP models



MBSP models



Compression models

Product Code	A	B	C	D
PRED312020 / PRED312070	1/2" FBSP	92	72	74
PRED312025 / PRED312075	3/4" FBSP	92	76	74
PRED312001 / PRED312050	1/2" MBSP union	93	125	75
PRED312005 / PRED312055	3/4" MBSP union	93	134	75
PRED312010 / PRED312060	15mm comp	92	62	74
PRED312015 / PRED312065	22mm comp	92	65	74