

Heatguard® Dual Thermostatic Mixing Valve

A TMV2 and TMV3 approved thermostatic mixing valve, compliant with both NHS model engineering specification code D08 and BSEN 1111. It enables accurate temperature control to protect the end user from extreme water temperatures.

The valve comes complete with either 2-in-1 fittings which include check valves and strainers, or 4-in-1 fittings which incorporate the check valves and strainers plus isolators and test ports.

HEAT110624



Product code	Size	Description
HEAT110614	15mm	Heatguard Dual 2-in-1
HEAT110624	22mm	Heatguard Dual 2-in-1
HEAT110615	15/22mm	Universal Heatguard Dual 2-in-1
HEAT110616	15mm	Heatguard Dual 4-in-1
HEAT110625	22mm	22mm Heatguard Dual 4-in-1
HEAT110617	15/22mm	15/22mm Universal Heatguard Dual 4-in-1

HEAT110625



How to specify

Heatguard Dual 2in1: The Thermostatic Mixing Valve (TMV) must be TMV3 & TMV2 accredited, WRAS approved and comply with BSEN 1111, BSEN 1287, BS7942 and HTM04-01 D08 and comply with Part G3 UK building regulations. The TMV should supply 37 lpm at 2.5bar pressure loss, have a tamperproof cap the acts as a temperature adjustment tool. The interior seals must be Viton and the internal components must be scale resistant. The water inlets must be compression style with flat faced union connections.

Heatguard Dual 4in1: The Thermostatic Mixing Valve (TMV) must be TMV3 & TMV2 accredited, WRAS approved and comply with BSEN 1111, BSEN 1287, BS7942 and HTM04-01 D08 and comply with Part G3 UK building regulations. The TMV should supply 37 lpm at 2.5bar pressure loss, have a tamperproof cap the acts as a temperature adjustment tool. The interior seals must be Viton and the internal components must be scale resistant. The water inlets must be compression style with flat faced union connections and include integral isolation ball valves, strainers, check valves with gauge and flushing points.

Heatguard® Dual Thermostatic Mixing Valve

Features and benefits

- Rapid failsafe on either hot or cold supply failure
- Provides stable mixed water temperature
- Tamperproof cap
- Building Regulations Part G and D08 compliant
- Flat faced union connections for ease of maintenance
- Available with 15mm, 22mm and Universal connections, with or without isolating valves
- Scale resistant internal components ensure a long, trouble-free working life

Specifications

Factory set temperature	38°C
Temperature setting range	38-46°C
Temperature, hot supply	52-65°C
Temperature, cold supply	5-20°C
Minimum temperature differential	10°C min
Temperature stability (nominal)	+/- 2°C
Static pressure	16.0 bar max
Operating pressure	0.1-6.0 bar
Minimum flow rate	4 L/min
Maximum pressure loss ratio (either supply)	10:1

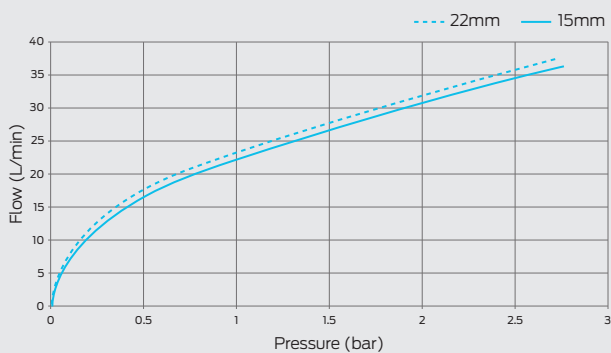
Materials

Body	DZR brass, nickel plated
Internal components	DZR brass
Seals	Viton
Spring	Stainless steel
Strainers	Stainless steel

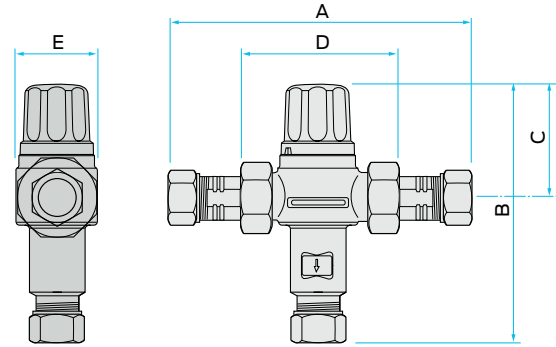
Standards and approvals

Complies with BSEN 1111, BS 7942, NHS MES D08
WRAS Approved
TMV2 & TMV3 Approved

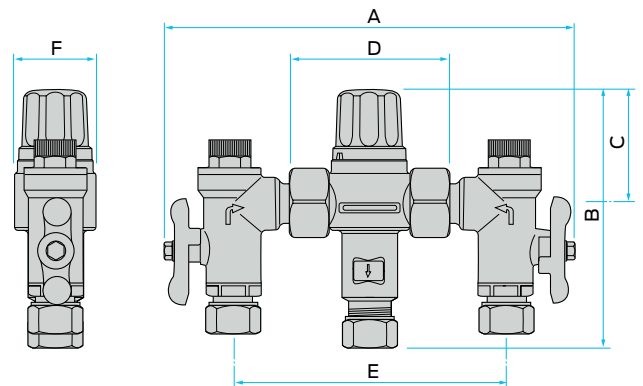
Flow rates



Dimensions – All measurements in mm unless otherwise stated



Product code	A	B	C	D	E
HEAT110614	130	121	54	72	40
HEAT110624	151	123	54	72	40
HEAT110615	151	123	54	72	40



Product code	A	B	C	D	E	F
HEAT110616	205	121	54	72	120	40
HEAT110625	205	123	54	72	120	40
HEAT110617	205	123	54	72	120	40