



## 6247 COMMERCIAL/INDUSTRIAL PRESSURE REDUCING VALVE

PRED624001	DN65
PRED624002	DN80
PRED624003	DN100

### OVERVIEW

A high flow rate pressure reducing valve, which provides accurate pressure control for commercial or industrial applications. Manufactured in corrosion resistant bronze, the robust design can be installed in any orientation with a maximum working temperature of 60°C.



WATER CONTROLS FOR A MODERN WORLD

**RELIANCE**

TEMPERATURE CONTROL

FLOW CONTROL

HEATING SYSTEM COMPONENTS

WASHROOM SYSTEMS

HEATING & COOLING DISTRIBUTION SYSTEMS

PLUMBING SYSTEMS

# 6247 COMMERCIAL/INDUSTRIAL PRESSURE REDUCING VALVE

## FEATURES AND BENEFITS

- Manufactured in corrosion resistant bronze
- Accurate pressure control, adjustable between 1.5-6.0 bar
- Robust design
- All working components contained in a single cartridge
- Test point on base of valve
- Can be installed in any orientation

## SPECIFICATIONS

Maximum working pressure:	16.0 bar
Adjustable set pressure:	1.5-6.0 bar
Maximum working temperatures:	60°C
Strainer:	0.25mm
Flange:	PN16

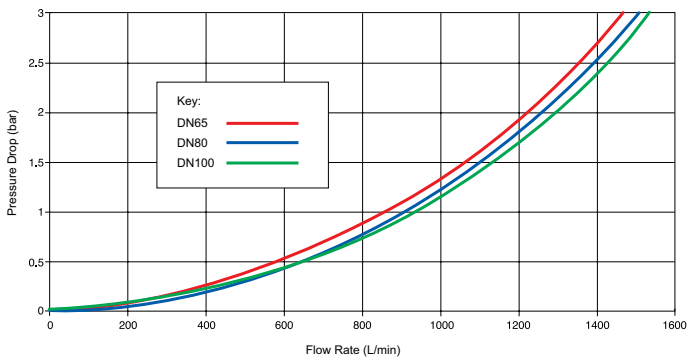
## MATERIALS

Body:	Bronze
Seals:	EPDM
Spring:	Stainless steel
Strainer:	Stainless steel
Diaphragm:	EPDM
Cover:	ABS plastic

## STANDARDS AND APPROVALS

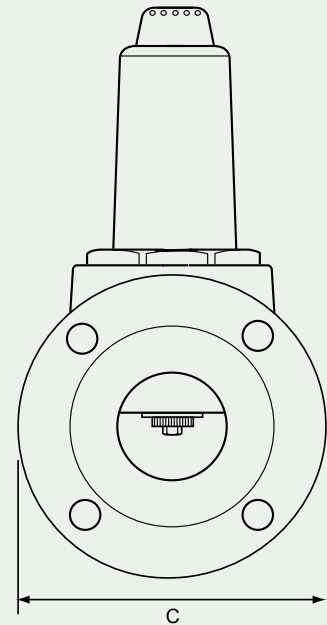
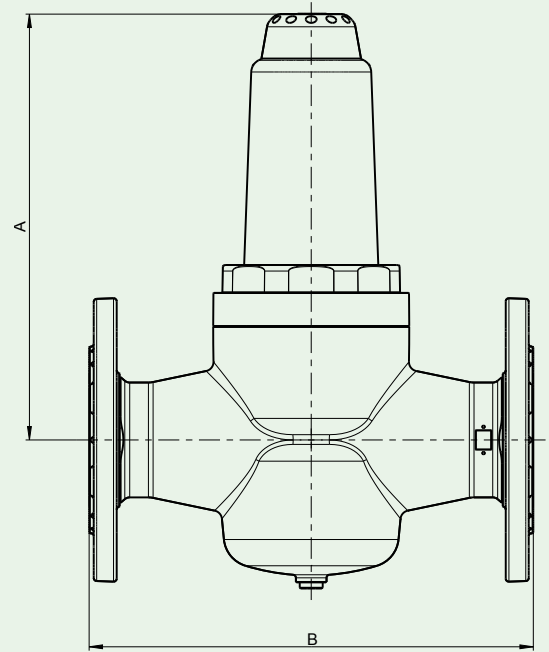
- BSEN 1567
- WRAS Approved

## FLOW RATES



## DIMENSIONS

All dimensions in mm unless otherwise stated.



Product Code	A	B	C
PRED624001	278	290	185
PRED624002	278	310	200
PRED624003	278	350	220