

Thermal Balancing Valve

A thermostatic balancing valve for use in circulating hot water systems. The valve balances the system by regulating the flow within it depending on the temperature. The valve will restrict the flow as the temperature rises to its set point but at 70°C a bypass will open allowing a higher flow rate for disinfection purposes.

Product code	Size	Description
TREG100060	½" 1/2" FBSP	Thermal Balancing Valve
TREG100065	¾" 3/4" FBSP	Thermal Balancing Valve
SBTREG100060	½" 1/2" FBSP	Thermal Balancing Valve
SBTREG100065	¾" 3/4" FBSP	Thermal Balancing Valve

How to specify

The Thermostatic Balancing Valve (TBV) must be WRAS approved, automatically operated, with adjustable temperature settings from 40 – 65 Degrees Celsius and include an integral disinfection function. Designed to give continuous flow even when the set temperature is achieved and be able to be installed in any orientation. The product must be supplied with an insulation jacket, identification tag and have a removable thermometer that sits within a dry pocket. Viton seals must be used.

TREG100064
with insulation
casing



TREG100064
without insulation
casing



Thermal Balancing Valve

Features and benefits

- Easy temperature adjustment between 40-65°C and tamper-proof cap
- Built-in disinfection function to protect against legionella
- Dry-fit thermometer - no need to drain
- Pre-insulated, saving time and cost

Specifications

Temperature set range	40-65°C
Factory pre-set temperature	58°C
Temp. range for thermal disinfection	>70°C
Maximum working pressure	10.0 bar
Accuracy	+/- 2°C

Materials

Body	DZR Brass
Seals	Viton
Spring	Stainless Steel
Insulation	Polyethylene

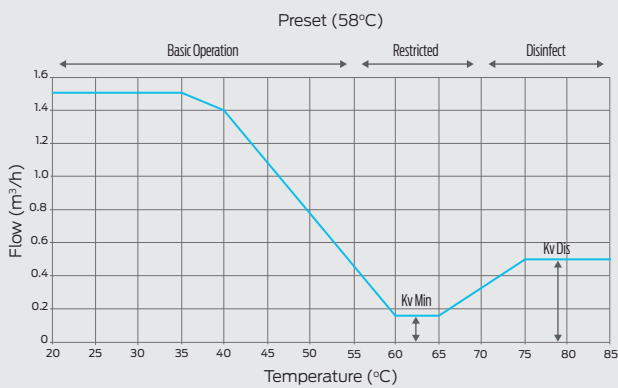
Spares

Spare dry-fit push in thermometer	GAGE100060
Service kit	SKIT100060
Spare insulation case	½" INSU100060
Spare insulation case	¾" INSU100065

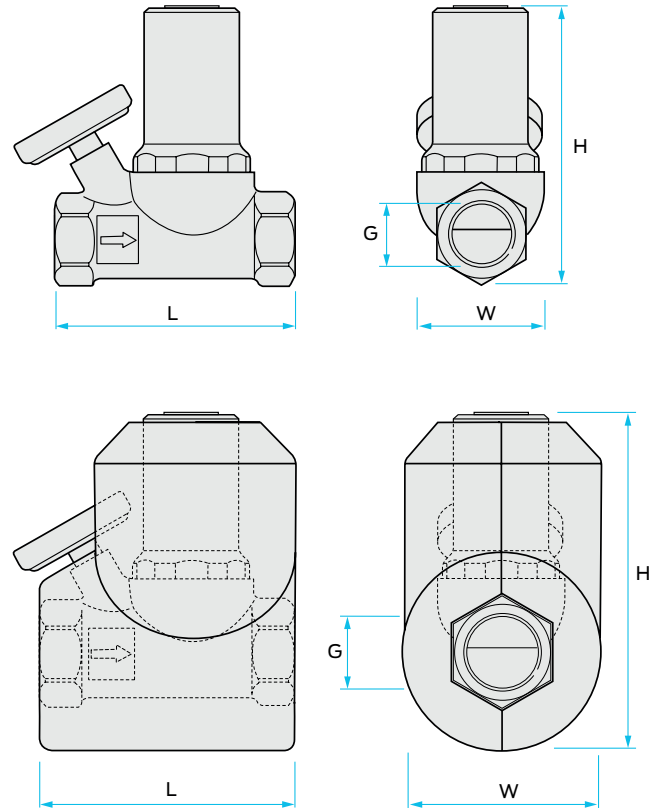
Standards and approvals

WRAS Approved

Flow rates



Dimensions – All measurements in mm unless otherwise stated



Product code	L	W	H	G
TREG100060	75	36	86	½"
with insulation	87	48	98	½"
TREG100065	80	36	90	¾"
with insulation	92	48	102	¾"