



102 SERIES POTABLE WATER PRESSURE RELIEF VALVES

PREL102014	1/2" FxFBSP 3.5 bar
PREL102008	1/2" FxFBSP 5.0 bar
PREL102001	1/2" FxFBSP 6.0 bar
PREL102004	1/2" FxFBSP 8.0 bar
PREL102040	1/2" MxFBSP 3.5 bar
PREL102041	1/2" MxFBSP 5.0 bar
PREL102042	1/2" MxFBSP 6.0 bar
PREL102043	1/2" MxFBSP 8.0 bar
PREL102009	1/2" MBSP x 15mm 3.5 bar
PREL102003	1/2" MBSP x 15mm 5.0 bar
PREL102005	1/2" MBSP x 15mm 6.0 bar
PREL102044	1/2" MBSP x 15mm 8.0 bar
PREL102045	3/4" FxFBSP 3.5 bar
PREL102046	3/4" FxFBSP 5.0 bar
PREL102031	3/4" FxFBSP 6.0 bar
PREL102047	3/4" FxFBSP 8.0 bar
PREL102048	3/4" MxFBSP 3.5 bar
PREL102118	3/4" MxFBSP 5.0 bar
PREL102018	3/4" MxFBSP 6.0 bar
PREL102024	3/4" MxFBSP 8.0 bar
PREL102020	3/4" MBSP x 22mm 3.5 bar
PREL102049	3/4" MBSP x 22mm 5.0 bar
PREL102027	3/4" MBSP x 22mm 6.0 bar
PREL102050	3/4" MBSP x 22mm 8.0 bar

OVERVIEW

The 102 series potable pressure relief valve is designed to protect an unvented system from overpressurisation. The valves are pre-set and locked to a particular pressure, so if the system exceeds this pressure the valve will lift off the seat and water will discharge from the valve to waste. This is the first safety device in line within an unvented system. These valves are available in many different pressures ranging from 3.5-8.0 bar and in multiple connection sizes to allow for a flexible installation.



WATER CONTROLS FOR A MODERN WORLD

RELIANCE

TEMPERATURE CONTROL

FLOW CONTROL

HEATING SYSTEM COMPONENTS

WASHROOM SYSTEMS

HEATING & COOLING DISTRIBUTION SYSTEMS

PLUMBING SYSTEMS

102 SERIES POTABLE WATER PRESSURE RELIEF VALVES

FEATURES AND BENEFITS

- Rapid removal of single piece cartridge for cleaning or replacement
- Diaphragm design gives improved resistance against scale
- Multiple connections for flexible installation
- Set relief pressure range from 3.5-8.0 bar

SPECIFICATIONS

Body test pressure:	20.0 bar
Maximum temperature:	140°C
Pre-set pressure range:	3.5-8.0 bar

MATERIALS

Body:	DZR brass
Diaphragm:	EPDM
Seal:	EPDM
Spring:	Stainless steel
Cap:	High grade glass fibre reinforced plastic

STANDARDS AND APPROVALS

- WRAS Approved
- BS EN 1491

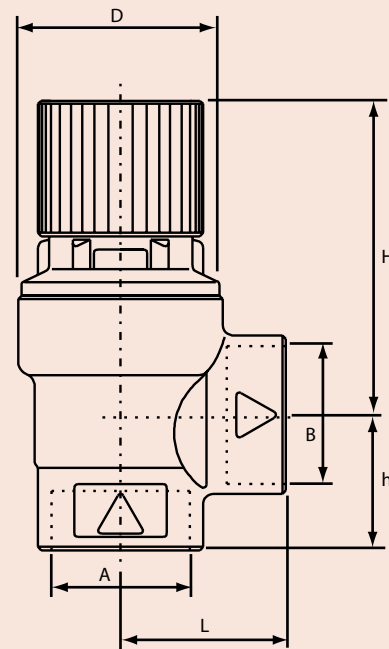
SPARES AND ACCESSORIES

- ZRC214031: 3.5 bar Replacement pressure relief valve cartridge
- ZRC214048: 5.0 bar Replacement pressure relief valve cartridge
- ZRC214004: 6.0 bar Replacement pressure relief valve cartridge
- ZRC214009: 8.0 bar Replacement pressure relief valve cartridge

All with blue cap and suitable for both 1/2" and 3/4" valves

DIMENSIONS

All dimensions in mm unless otherwise stated.



Model	A	B	L	D	H	h
1/2" FxFBSP	1/2" FBSP	1/2" FBSP	35	31	46	21
1/2" MxFBSP	1/2" FBSP	1/2" MBSP	25	31	46	30
1/2" MBSP x 15mm	1/2" MBSP	15mm	25	31	46	30
3/4" FxFBSP	3/4" FBSP	3/4" FBSP	30	31	48	27
3/4" MxFBSP	3/4" MBSP	3/4" FBSP	30	31	48	36
3/4" MBSP x 22mm	3/4" MBSP	22mm	37	31	48	36

DISCHARGE RATING

Pressure Setting (bar)	Discharge Rating (m ³ /h)	
4	2.8	3.0
4.5	3.0	3.2
5	3.1	3.4
5.5	3.3	3.6
6	3.4	3.7
7	3.7	4.0
8	4.0	4.3
9	4.2	4.6
10	4.4	4.8
Inlet Size	1/2"	3/4"