

I04 Series

Features and Benefits

- Allows a high capacity discharge
- Diaphragm design gives improved resistance against scale
- Protects against over pressurisation
- Rapid removal of single piece cartridge for cleaning or replacement
- Multiple connections for flexible installation
- Set relief pressure range from 3.5-8bar



Description

High capacity range of pressure relief valves, designed to protect an unvented system from over pressurisation. The valves are pre-set and locked to a particular pressure, so if the system exceeds this pressure the valve will lift off the seat and water will discharge from the valve, to waste. The outlet connection is one size larger than the inlet to guarantee the valve will be able to cope with a high capacity discharge. This is the first safety device in line within an unvented system. These valves are available in many different pressures ranging from 3.5-8bar and in multiple connection sizes to allow for a flexible installation.

POTABLE PRESSURE RELIEF VALVES

Specification Sheet



The Safety Valve Specialist

Specifications

Body test pressure	20bar
Maximum temperature	110°C
Pre-set pressure range	3.5-8bar

Approvals

WRAS approval application pending

Standards

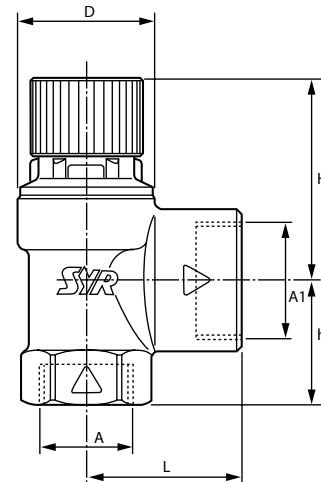
BS EN 1491

Product Codes

Potable Pressure Relief Valves

Code	Connection size	Pre-set pressure setting
PREL 104 040	1/2" x 3/4" FF	3.5bar
PREL 104 041	1/2" x 3/4" FF	5bar
PREL 104 008	1/2" x 3/4" FF	6bar
PREL 104 006	1/2" x 3/4" FF	8bar
PREL 104 042	3/4" x 1" FF	3.5bar
PREL 104 014	3/4" x 1" FF	5bar
PREL 104 010	3/4" x 1" FF	6bar
PREL 104 016	3/4" x 1" FF	8bar
PREL 104 043	1" x 1 1/4" FF	3.5bar
PREL 104 001	1" x 1 1/4" FF	5bar
PREL 104 002	1" x 1 1/4" FF	6bar
PREL 104 017	1" x 1 1/4" FF	8bar
PREL 104 044	1 1/4" x 1 1/2" FF	3.5bar
PREL 104 045	1 1/4" x 1 1/2" FF	bar
PREL 104 005	1 1/4" x 1 1/2" FF	6bar
PREL 104 013	1 1/4" x 1 1/2" FF	8bar
PREL 104 046	1 1/2" x 2" FF	3.5bar
PREL 104 047	1 1/2" x 2" FF	5bar
PREL 104 012	1 1/2" x 2" FF	6bar
PREL 104 020	1 1/2" x 2" FF	8bar
PREL 104 048	2" x 2 1/4" FF	3.5bar
PREL 104 049	2" x 2 1/2" FF	5bar
PREL 104 015	2" x 2 1/2" FF	6bar
PREL 104 023	2" x 2 1/2" FF	8bar

Dimensions



A	AI	H	h	L	D
1/2"	3/4"	46	28	35	31
3/4"	1"	48	34	38	31
1"	1 1/4"	79	40	47	49
1 1/4"	1 1/2"	110	46	53	51
1 1/2"	2"	136	55	70	75
2"	2 1/2"	195	66	75	75

All dimensions shown in mm unless otherwise stated

Materials

Body 1/2", 3/4" & 1"	DZR Brass
Body 1 1/4"	Brass CZ121 nickel plated
Body 1 1/2" & 2"	Gunmetal
Diaphragm	EPDM
Seal	EPDM
Spring	Stainless Steel
Cap	High grade glass fibre reinforced plastic

Discharge Rating

Pressure Setting (bar)	Discharge Rating (m³/h)					
	1/2"	3/4"	1"	1 1/4"	1 1/2"	2"
4	2.8	3.0	9.5	14.3	19.2	27.7
4.5	3.0	3.2	10.1	15.1	20.4	29.3
5	3.1	3.4	10.6	16.1	21.5	30.9
5.5	3.3	3.6	11.1	16.1	22.5	32.4
6	3.4	3.7	11.6	17.5	41.2	50.9
7	3.7	4.0	12.6	18.9	44.5	54.9
8	4.0	4.3	13.4	20.2	47.6	58.7
9	4.2	4.6	14.3	21.4	50.5	62.3
10	4.4	4.8	15.0	22.6	53.2	65.7
Inlet Size	1/2"	3/4"	1"	1 1/4"	1 1/2"	2"

Reliance Water Controls Ltd

A Reliance Worldwide Company

Worcester Road, Evesham, Worcestershire, WR11 4RA, UK. UK – Freephone: 0800 389 5931

Freefax: 0800 389 5932 Outside UK – Tel: +44 (0)1386 712400 Fax: +44 (0)1386 712401 Email: sales@rwc.co.uk

www.rwc.co.uk