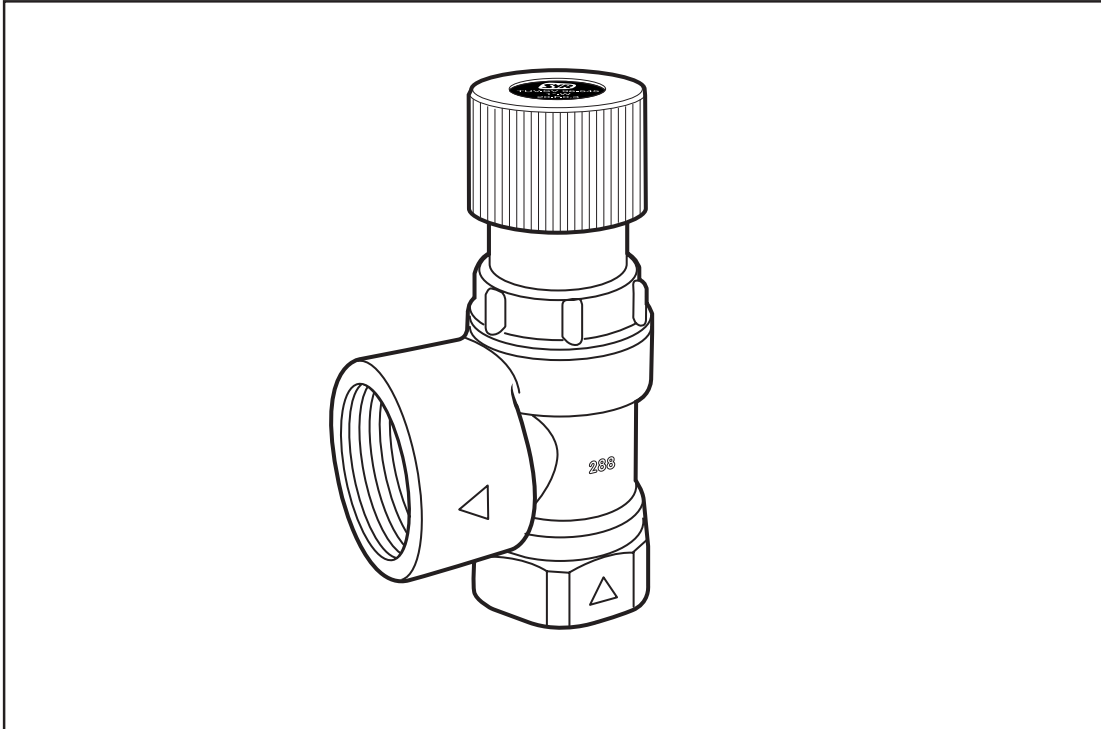




Product Specification Sheet

Pressure Relief Valves - PREL 104 Series



A high capacity pressure relief valve to protect pressurised potable water systems from overpressure.

Product Features and Benefits

- The outlet is one size larger than the inlet, for **high capacity discharge**.
- **Gives overpressure protection** for potable water systems.
- **Diaphragm** design gives **improved resistance to scaling**.
- **Cartridge** design gives **ease of service and replacement** without the need to re-set the response pressure.
- Set pressure range from **3.5 bar to 8.0 bar**.
- **High lift design** for **increased discharge capacity**.
- Available with a variety of connection combinations for complete installation flexibility.

- ✓ WRAS approved.
- ✓ Conforms to BS EN 1491.

Pressure Relief Valves - PREL 104 Series

Description

Made from hot pressed brass, the Pressure Relief Valve is used to protect potable water systems from overpressure. The outlet is one size larger than the inlet to ensure high discharge flow rates. It has a separate seal seating from the diaphragm with a cover which is made from OT58 brass. Available in a variety of sizes to suit most installations, it also has a pressure range from 3.5 bar to 8.0 bar with the response pressure indicated on the twist cap. System working pressure must be at least 20% below that of the valve response pressure.

Product Range

PREL 104 040: 1/2" x 3/4" FF Relief Valve - 3.5 bar
 PREL 104 041: 1/2" x 3/4" FF Relief Valve - 5.0 bar
 PREL 104 008: 1/2" x 3/4" FF Relief Valve - 6.0 bar
 PREL 104 006: 1/2" x 3/4" FF Relief Valve - 8.0 bar
 PREL 104 042: 3/4" x 1" FF Relief Valve - 3.5 bar
 PREL 104 014: 3/4" x 1" FF Relief Valve - 5.0 bar
 PREL 104 010: 3/4" x 1" FF Relief Valve - 6.0 bar
 PREL 104 016: 3/4" x 1" FF Relief Valve - 8.0 bar
 PREL 104 043: 1" x 1.1/4" FF Relief Valve - 3.5 bar
 PREL 104 001: 1" x 1.1/4" FF Relief Valve - 5.0 bar
 PREL 104 002: 1" x 1.1/4" FF Relief Valve - 6.0 bar
 PREL 104 017: 1" x 1.1/4" FF Relief Valve - 8.0 bar
 PREL 104 044: 1.1/4" x 1.1/2" FF Relief Valve - 3.5 bar
 PREL 104 045: 1.1/4" x 1.1/2" FF Relief Valve - 5.0 bar
 PREL 104 005: 1.1/4" x 1.1/2" FF Relief Valve - 6.0 bar
 PREL 104 013: 1.1/4" x 1.1/2" FF Relief Valve - 8.0 bar
 PREL 104 046: 1.1/2" x 2" FF Relief Valve - 3.5 bar
 PREL 104 047: 1.1/2" x 2" FF Relief Valve - 5.0 bar
 PREL 104 012: 1.1/2" x 2" FF Relief Valve - 6.0 bar
 PREL 104 020: 1.1/2" x 2" FF Relief Valve - 8.0 bar
 PREL 104 048: 2" x 2.1/2" FF Relief Valve - 3.5 bar
 PREL 104 049: 2" x 2.1/2" FF Relief Valve - 5.0 bar
 PREL 104 015: 2" x 2.1/2" FF Relief Valve - 6.0 bar
 PREL 104 023: 2" x 2.1/2" FF Relief Valve - 8.0 bar

Replacement Cartridges (suitable for 1/2" and 3/4" valves)

ZRC214031: 3.5 bar Pressure Relief Cartridge
 ZRC214048: 5.0 bar Pressure Relief Cartridge
 ZRC214004: 6.0 bar Pressure Relief Cartridge
 ZRC214009: 8.0 bar Pressure Relief Cartridge
 N.B.

Other pressure settings/cartridge sizes are available by contacting Reliance Sales Department

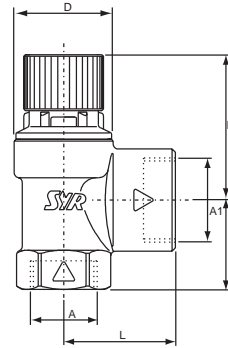
Standards

Conforms to BS EN 1491

Approvals

WRAS Approval number: 0007068

Dimensions



A	A1	H	h	L	D
1/2"	3/4"	52	28	35	31
3/4"	1"	54	34	38.5	31
1"	1.1/4"	79.5	40	47	49
1.1/4"	1.1/2"	110	46	52.5	51
1.1/2"	2"	186.5	55	70	75
2"	2.1/2"	195	66	75	75

All dimensions in mm unless stated

Discharge Rating

Pressure Setting (bar)	Discharge Rating (m ³ /h)					
	2.8	3.0	9.5	14.3	19.2	27.7
4.0	2.8	3.0	9.5	14.3	19.2	27.7
4.5	3.0	3.2	10.1	15.1	20.4	29.3
5.0	3.1	3.4	10.6	16.0	21.5	30.9
5.5	3.3	3.6	11.1	16.1	22.5	32.4
6.0	3.4	3.7	11.6	17.5	41.2	50.9
7.0	3.7	4.0	12.6	18.9	44.5	54.9
8.0	4.0	4.3	13.4	20.2	47.6	58.7
9.0	4.2	4.6	14.3	21.4	50.5	62.3
10.0	4.4	4.8	15.0	22.6	53.2	65.7
Inlet Size	1/2"	3/4"	1"	1.1/4"	1.1/2"	2"

Materials

Body: DZR brass
 Diaphragm: Heat and age proof rubber
 Seal: Heat and age proof rubber
 Spring: Spring steel wire - corrosion protected
 Cap: High grade glass fibre reinforced plastic

Specifications

Set Pressure Range: 3.5 bar to 8.0 bar
 Operating Temperature: 110°C max.
 Test Pressure of Body: 25 bar

How to Specify

A high capacity (outlet is one size bigger than the inlet) Pressure Relief Valve at pre-determined set response pressure which can be selected from a wide range of inlet and outlet FBSP connections (include correct product range code).

Guarantee

All Reliance® products undergo strict performance tests prior to despatch, and are guaranteed against faulty materials and workmanship for one year from date of purchase. This is in addition to any statutory rights.

Contacts:	Sales Enquiries	Technical Support
Telephone:	+44 (0)1386 712400	+44 (0)1386 47148
Fax:	+44 (0)1386 47028	+44 (0)1386 422217
E-Mail:	sales@rwc.co.uk	technical@rwc.co.uk



Reliance Water Controls®
 Worcester Road, Evesham, Worcestershire, WR11 4RA, UK
 Tel: +44 (0)1386 47148 Fax: +44 (0)1386 47028 www.rwc.co.uk

