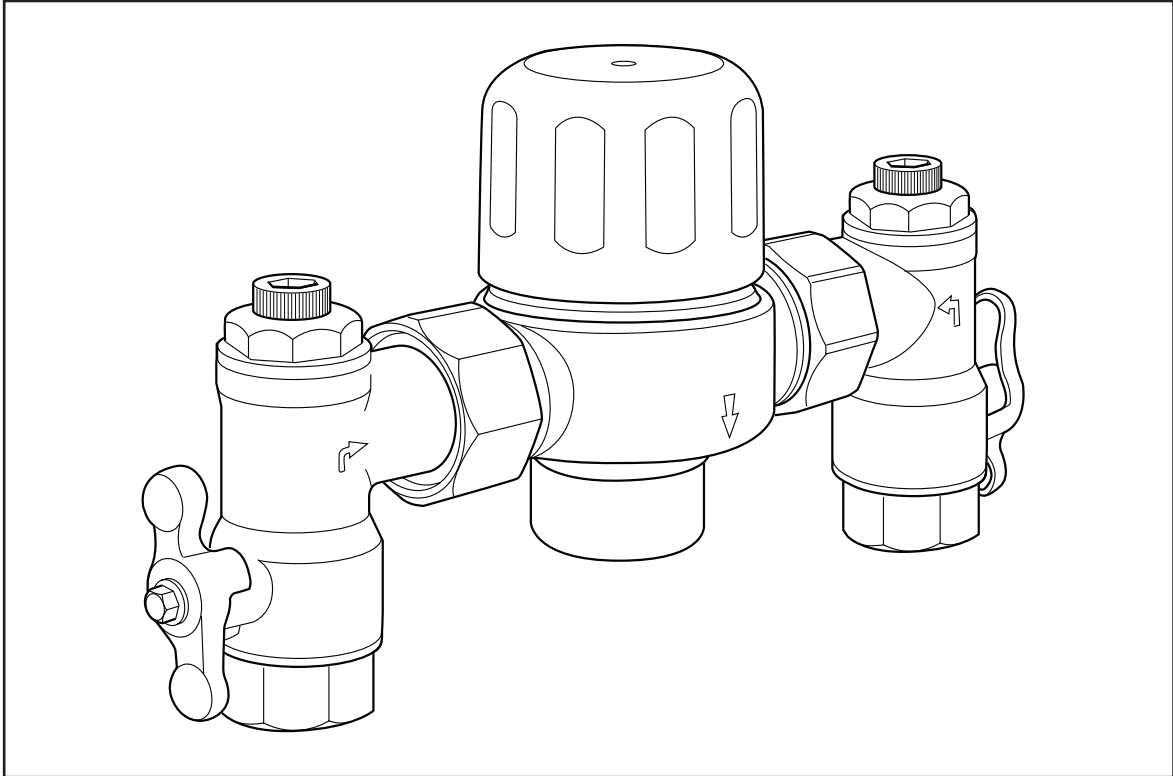




## Product Specification Sheet

### EuroMixer Thermostatic Mixing Valves



Thermostatic mixing valves for use in group mixing applications.

#### Product Features and Benefits

- **Extremely stable** mixed water temperature under all supply conditions.
- Adjustable or lockable temperature control gives **complete flexibility to the installer.**
- **High flow rates** suitable for feeding 1 to 10 showers or taps.
- 1"x1" or 1"x1.1/4" Female **BSP connections to suit all types of pipework.**
- 4in1 service fittings provide **isolation, filtration, cross-flow prevention,** and a **gauge port** for testing in a single compact unit.

# EuroMixer Thermostatic Mixing Valves

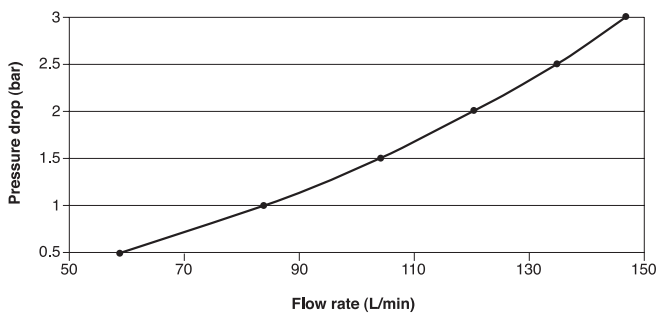
## Description

A high flow rate thermostatic mixing valve for group mixing applications. Primarily used for multiple outlet shower or basin installations where stable outlet temperatures at varying flow rates are important. Comes complete with 4in1 fittings, consisting of a full flow, chrome-plated ball type isolating valve and high flow barrel type strainer protecting the check cartridge/non-return valve from any system contamination. Also includes a 1/4" BSP test point for monitoring system conditions such as temperature, pressure and cross-flow.

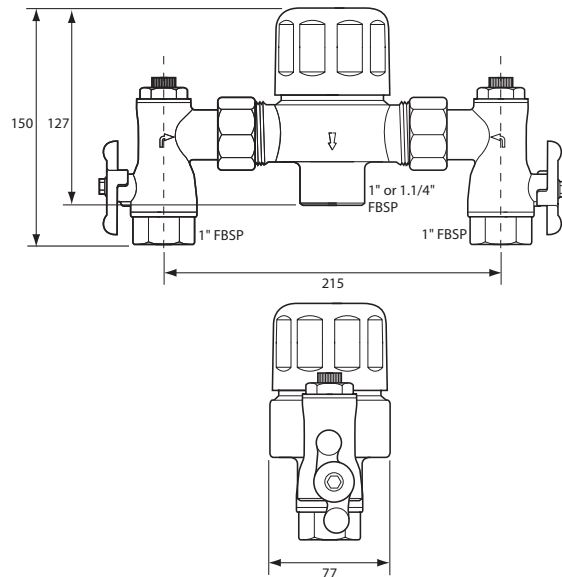
## Product Range

- HEAT 630 100: 1"x1" FBSP 4in1 EuroMixer Thermostatic Mixing Valve  
 HEAT 640 100: 1"x1.1/4" MBSP 4in1 EuroMixer Thermostatic Mixing Valve

## Flow Performance



## Dimensions



All dimensions in mm unless stated.

## Specifications

Factory Set Temperature:	40 +/-3°C
Outlet Temperature Range:	38-60°C
Hot Supply Temperature Range:	55-85°C
Cold Supply Temperature Range:	5-25°C
Temperature Stability (nominal):	+/-3°C
Minimum Temperature Differential: (between hot supply and outlet temperature)	15°C
Maximum Supply Pressure:	10 Bar
Minimum Supply Pressure:	0.5Bar
Maximum Pressure Differential:	2:1
Minimum Flow Rate:	HEAT 630 100 - 15 LPM HEAT 640 100 - 20 LPM



**Reliance Water Controls®**  
 Worcester Road, Evesham, Worcestershire, WR11 4RA, UK  
 Tel: +44 (0)1386 712400 Fax: +44 (0)1386 712401 www.rwc.co.uk

