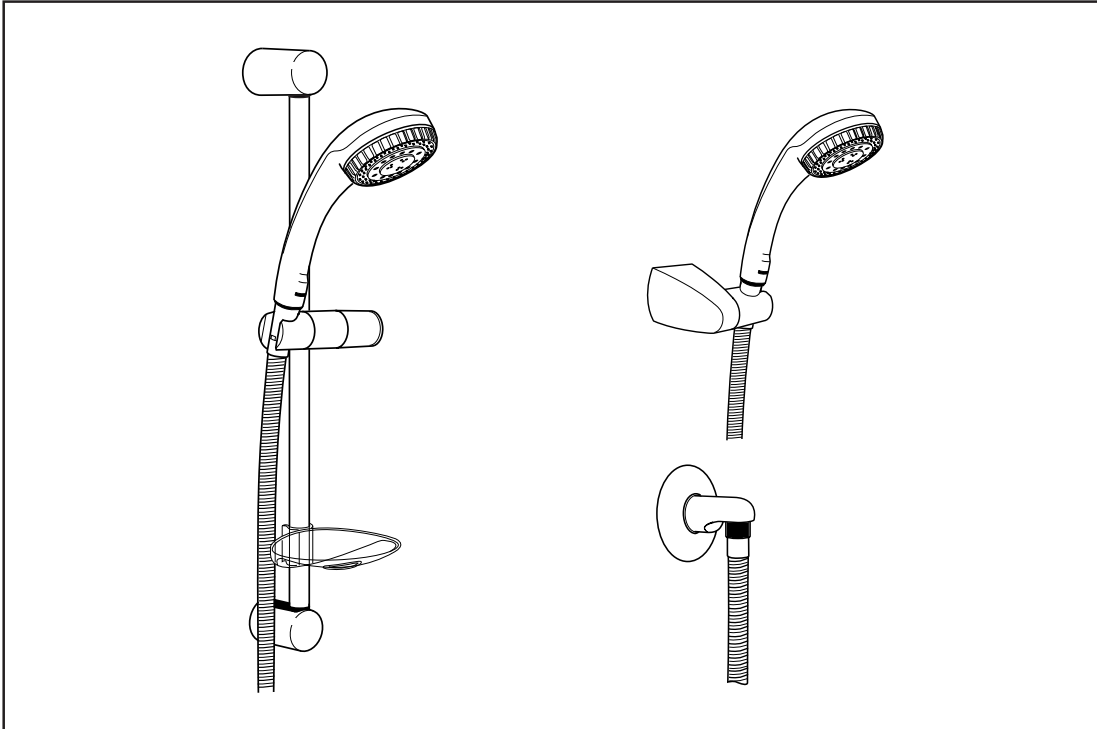




## Product Specification Sheet

### Contemporary Shower Fittings



Low and high pressure Contemporary handsets, hoses, slider rails, wall brackets and outlet elbows, available in chrome, gold, mixage or white finishes.

#### Product Features and Benefits

- **5 different spray patterns** – normal, pulse massage, champagne, combi pulse, combi champagne.
- **Easily adjustable functions.**
- **Self cleaning** – contains integral rubber plate which helps prevent lime scale build up.
- **Removable shower head** (one click action) for ease of maintenance.
- **Integral anti-twist connector** prevents the hose from twisting.
- **High or low pressure options**, covering all plumbing systems.

# Contemporary Shower Fittings

## Description

Low and high pressure handsets, and hoses, available in chrome, gold, mixage or white finishes. Adjustable wall brackets and slider rails available in chrome, gold, mixage or white finishes. Wall outlet elbows (for concealed showers) available in chrome, gold, or white finishes. Soap dishes available in clear plastic, or with chrome, gold or white finishes.

## Product Range

### SFIT 100 100 consisting of:

HP chrome shower handset  
1.5M\*11mm PVC convoluted chrome shower hose  
Chrome plated sliding riser rail  
Clear, acrylic soap dish.

### SFIT 100 200 consisting of:

LP chrome shower handset  
1.5M\*11mm PVC convoluted chrome shower hose  
Chrome plated sliding riser rail  
Clear, acrylic soap dish.

### SFIT 200 100 consisting of:

HP chrome shower handset  
1.5M\*11mm PVC convoluted chrome shower hose  
Chrome plated sliding riser rail  
Clear, acrylic soap dish  
Chrome plated wall outlet elbow.

### SFIT 200 200 consisting of:

LP chrome shower handset  
1.5M\*11mm PVC convoluted chrome shower hose  
Chrome plated sliding riser rail  
Clear, acrylic soap dish  
Chrome plated wall outlet elbow.

### SFIT 200 300 consisting of:

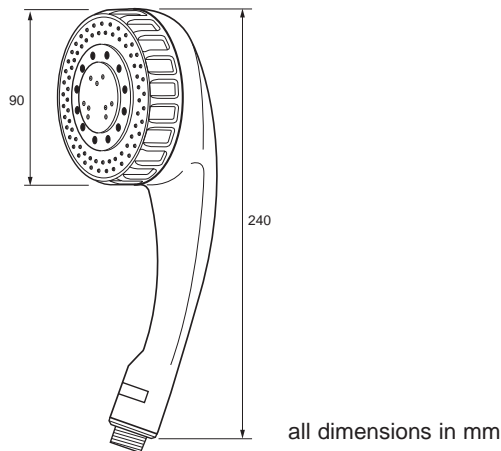
HP chrome shower handset  
1.5M\*11mm PVC convoluted chrome shower hose  
Chrome plated wall outlet elbow  
Chrome plated wall bracket.

### SFIT 200 400 consisting of:

LP chrome shower handset  
1.5M\*11mm PVC convoluted chrome shower hose  
Chrome plated wall outlet elbow  
Chrome plated wall bracket.

For different combinations of products (e.g. with alternative finishes) please contact our sales department.

## Dimensions



Sliding rail - 22mm diameter, 570mm length

Soap dish - 22mm diameter

Hose - 11mm bore (PVC), 1.5m length

13mm bore (metal), 1.5m length also available

## Materials

Shower head – ABS & POM

Metal hose – brass

Plastic hose – PVC convoluted chrome

Slider rail – plastic ABS, metal tube brass

Wall bracket – ABS

Wall outlet elbow - ABS with brass nipple

Soap dish (clear) - PC

Soap dish (chrome or gold plated) - ABS

## Specifications

### Handset

Maximum temperature 80°C

Maximum water pressure 6bar

Function range 8-20L/M @ 0.1-3bar

Low pressure handset - blue markings on face

High pressure handset - white markings on face

### Wall outlet elbow

Wall outlet elbow - 1/2" male BSP

## Guarantee

Two year manufacturers warranty - please refer to the policy document for more details.

Contacts:	Sales Enquiries	Technical Support
Telephone:	+44 (0)1386 712400	+44 (0)1386 47148
Fax:	+44 (0)1386 47028	+44 (0)1386 422217
E-Mail:	sales@rwc.co.uk	technical@rwc.co.uk



**Reliance Water Controls®**  
Worcester Road, Evesham, Worcestershire, WR11 4RA, UK  
Tel: +44 (0)1386 47148 Fax: +44 (0)1386 47028 www.rwc.co.uk

