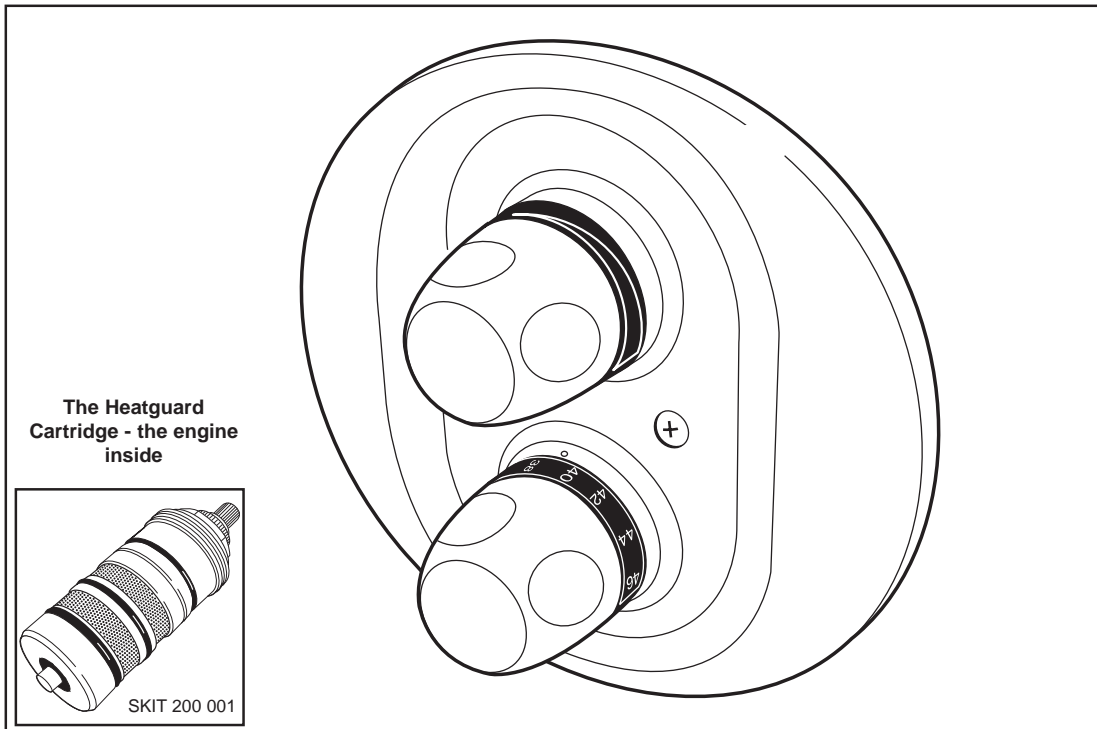


Contemporary Heatguard CS



The Contemporary Heatguard CS concealed thermostatic mixer shower, with dual controls, available in a chrome or white finish.

Product Features and Benefits

- **Thermostatic cartridge for ease of service.**
- **Wax element** thermostatic technology **reduces risk of scalding.**
- **Stable temperature** management and **quick reaction** to supply change.
- **Accurate** user set **temperature to $\pm 2^{\circ}\text{C}$.**
- **Thermostatic** cartridge with **integral sleeve strainers.**
- **High flow rate** of 8 L/M @ 0.1 bar.
- Flow control assured by **long lasting ceramic disc cartridge.**
- **Temperature displayed** on the control in $^{\circ}\text{C}$.
- **Integral isolators** for speed of maintenance.

- ✓ NHS Estates TMV2 - BS EN 1287
- ✓ WRAS approval pending
- ✓ A full range of fittings and accessories is available

Contemporary Heatguard CS

Description

Contemporary style concealed thermostatic mixer shower available in a chrome or white finish. Includes front access via concealing plate to integrated isolating for ease of service and features a full flow 3/4" body. Additional outlet is available for bath fill or body shower. The packaging is depth marked to act as a template for creating the cavity. Capable of operating in both high and low pressure installations, this shower can be used in all types of domestic plumbing systems.

Product Range

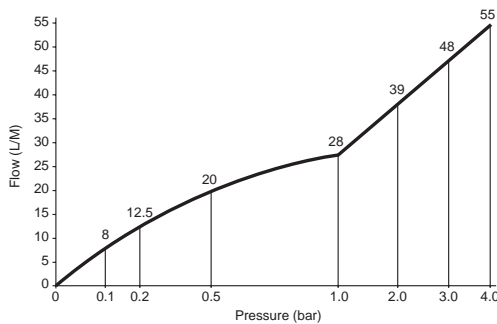
THRM 500 527:	Contemporary Heatguard CS - chrome
THRM 500 528:	Contemporary Heatguard CS - white

Materials

Body:	OT59 - brass
Protective cover:	Chrome plated brass & white epoxy paint
Seals:	NBR
Cartridge strainers:	Stainless steel
Cartridge:	Brass CW 614 N
Piston Coating:	PTFE

Performance

Contemporary Heatguard CS Flow Rates (L/M)



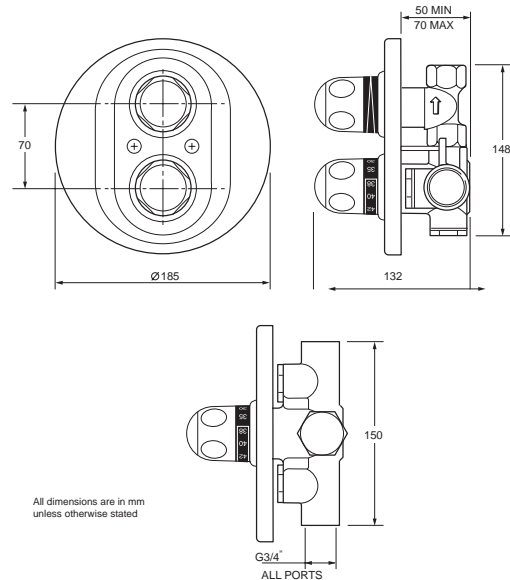
Standards

NHS Estates TMV2
BS EN 1111
BS EN 1287
ISO 228

Approvals

WRAS approval pending
KIWA, DVGW

Dimensions



Specifications

Hot temperature range:	60°C - 85°C
Cold temperature range:	5°C - 25°C
User temperature range:	Ambient - 50°C
Temperature calibration:	38°C at 2 bar
Temperature stability (nom.):	± 2°C
Operating pressure range:	0.1 bar - 5 bar
Maximum static pressure:	10 bar
Minimum flow rate:	8 lpm @ 0.1 bar
Min. Hot/blend temp. differential:	10°C
Maximum pressure differential:	5:1

How to Specify

3/4" thermostatic concealed mixer shower, to NHS Estates TMV2, contemporary style, dual control, with wax element single piece thermostatic cartridge with integral strainers and integrated isolating valves. (Include correct product range code).

Guarantee

All Reliance® products undergo strict performance tests prior to despatch, and are guaranteed against faulty materials and workmanship for one year from date of purchase. This is in addition to any statutory rights.

Contacts:	Sales Enquiries	Technical Support
Telephone:	+44 (0)1386 712400	+44 (0)1386 47148
Fax:	+44 (0)1386 47028	+44 (0)1386 422217
E-Mail:	sales@rwc.co.uk	technical@rwc.co.uk



Reliance Water Controls®
Worcester Road, Evesham, Worcestershire, WR11 4RA, UK
Tel: +44 (0)1386 47148 Fax: +44 (0)1386 47028 www.rwc.co.uk

