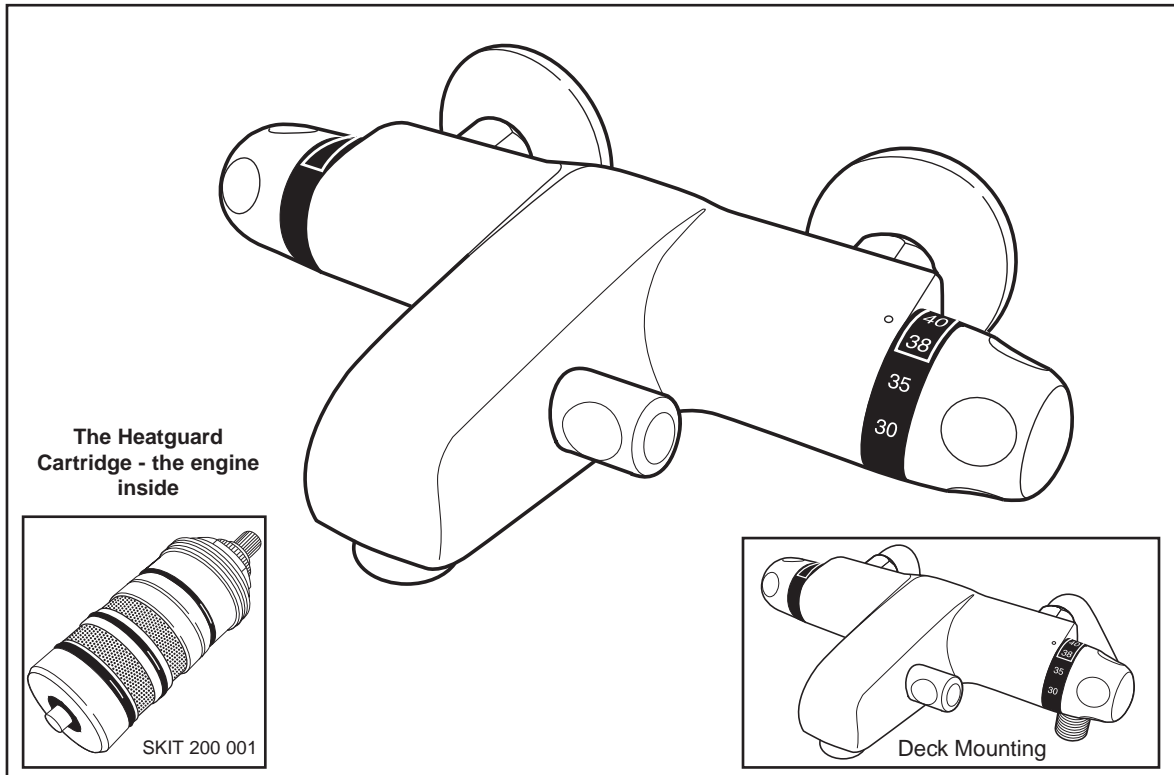


Contemporary Heatguard BSM



The Contemporary Heatguard BSM bath shower mixer with dual controls, available in a chrome finish. Both wall and deck mounted options available.

Product Features and Benefits

- **Thermostatic cartridge** for ease of service.
- **Wax element** thermostatic technology reduces risk of scalding.
- **Stable temperature** management and **quick reaction** to supply change.
- **Accurate** user set **temperature** to $\pm 2^{\circ}\text{C}$.
- **Thermostatic** cartridge with **integral sleeve strainers**.
- Flow control assured by **long lasting ceramic disc cartridge**.
- **Temperature displayed** on the control in $^{\circ}\text{C}$.
- **Wall or deck mounting** options give **freedom of installation** choice.

- ✓ NHS Estates TMV2 - BS EN 1287
- ✓ WRAS approval pending
- ✓ A full range of fittings and accessories is available

Contemporary Heatguard BSM

Description

Chrome plated contemporary style bath shower mixer with available options for wall or deck mounting. Designed to be suitable for use with all types of domestic plumbing systems above 0.5 bar dynamic pressure.

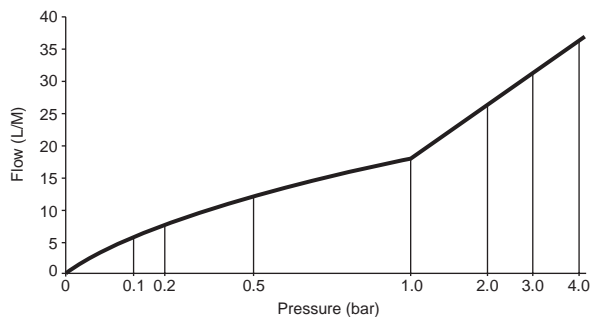
Product Range

THRM 500 542:	Bath shower mixer for wall mounting
THRM 500 546:	Bath shower mixer for deck mounting

Materials

Body:	OT59 brass
Inlet strainers:	Stainless steel
Protective treatment:	Chrome
Seals:	NBR
Cartridge strainers:	Stainless steel
Cartridge:	Brass CW 614 N
Piston Coating:	PTFE
Diverter:	Chrome plated brass

Performance



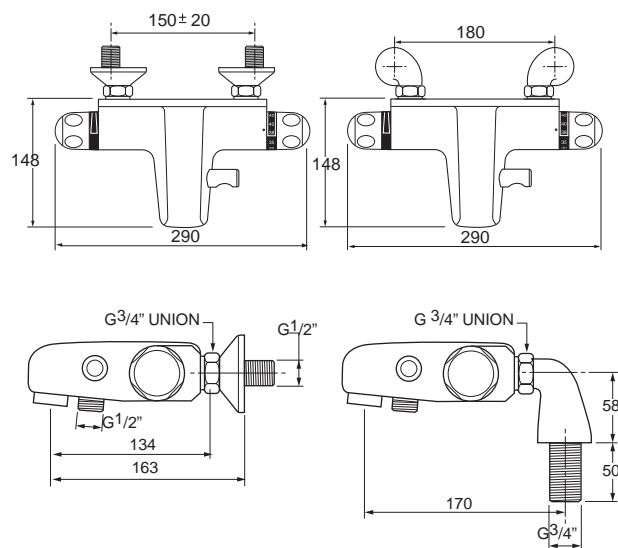
Standards

NHS Estates TMV2
BS EN 1111
BS EN 1287
ISO 228

Approvals

WRAS approval pending
KIWA, DVGW

Dimensions



All dimensions in mm unless otherwise stated

Specifications

Hot temperature range:	60°C - 85°C
Cold temperature range:	5°C - 25°C
User temperature range:	Ambient - 50°C
Temperature calibration:	38°C at 3 bar
Temperature stability (nom.):	± 2°C
Operating pressure range:	0.1 bar - 5 bar
Maximum static pressure:	10 bar
Minimum flow rate:	8 lpm @ 0.1 bar
Min. hot/bblend temp. differential:	10°C
Maximum pressure differential:	5:1

How to Specify

Thermostatic bath shower mixer, to NHS Estates TMV2, contemporary style, dual control, with wax element single piece thermostatic cartridge with integral strainers. (Include correct product range code to specify wall or deck mounted).

Guarantee

All Reliance® products undergo strict performance tests prior to despatch, and are guaranteed against faulty materials and workmanship for one year from date of purchase. This is in addition to any statutory rights.

Contacts:	Sales Enquiries	Technical Support
Telephone:	+44 (0)1386 712400	+44 (0)1386 47148
Fax:	+44 (0)1386 47028	+44 (0)1386 422217
E-Mail:	sales@rwc.co.uk	technical@rwc.co.uk



Reliance Water Controls®
Worcester Road, Evesham, Worcestershire, WR11 4RA, UK
Tel: +44 (0)1386 47148 Fax: +44 (0)1386 47028 www.rwc.co.uk

